

**31102**

## Gauge stands magnetic

**Sample order:**

nlm 31102-01

**Note:**

Base 900 N magnetic force.



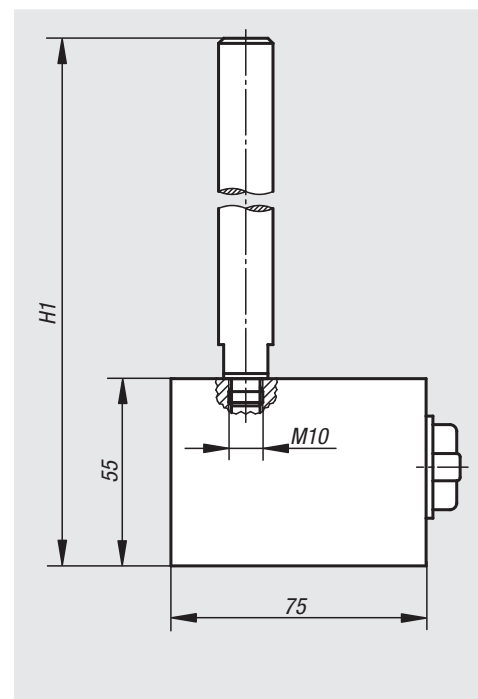
Order No.	total height	Column height	Ø column	Magnetic base length	Magnetic base width	Magnetic base height	Connecting thread	Magnetic force N
31102-01	305	250	16	75	50	55	M10	900

**31120**

## Magnetic stands

**Sample order:**

nlm 31120-01

**Note:**Magnetic base with On/Off switch  
(see also 09210-03)

Order No.	H1=Total height	Ø column	Column height	Magnetic base length	Magnetic base width	Magnetic base height	Connecting thread	Magnetic force N
31120-01	305	16	250	75	50	55	M10	900