

# Rods stainless steel



**Material:**

Ø12 and Ø20 stainless steel 1.4034.  
 Ø30 and Ø40 stainless steel 1.4305.

**Version:**

Bright, ground.

**Sample order:**

nlm 29240-121X0100 (include length L)

**Note:**

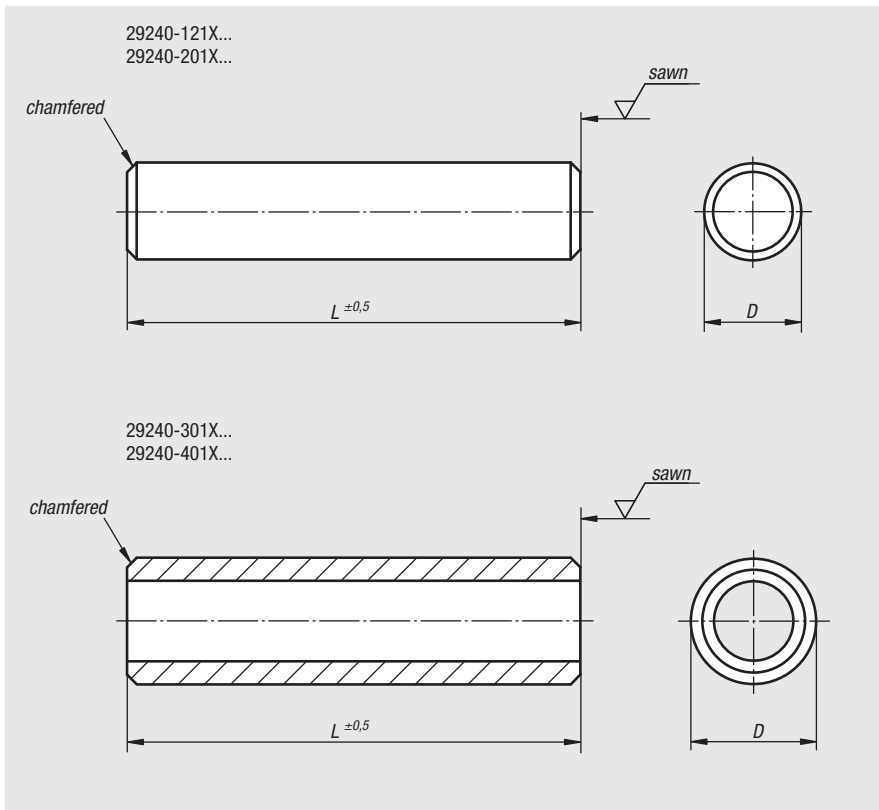
These ground stainless steel columns enable the versatile construction of many assembly configurations with only a few standard components.

Ø12 and Ø20 = solid bar.

Ø30 and Ø40 = tubes (wall thickness 5 mm).

**On request:**

Other lengths.



Order No.	Item	Size	D	L
29240-121X	Rod	12	12	100/200/300/400/500
29240-201X	Rod	20	20	100/200/300/400/500
29240-301X	Round Tube	30	30	100/200/300/400/500
29240-401X	Round Tube	40	40	100/200/300/400/500

20000  
21000  
22000  
23000  
24000  
26000  
27000  
28000  
29000  
31000  
32000  
33000