

Column shaft collars

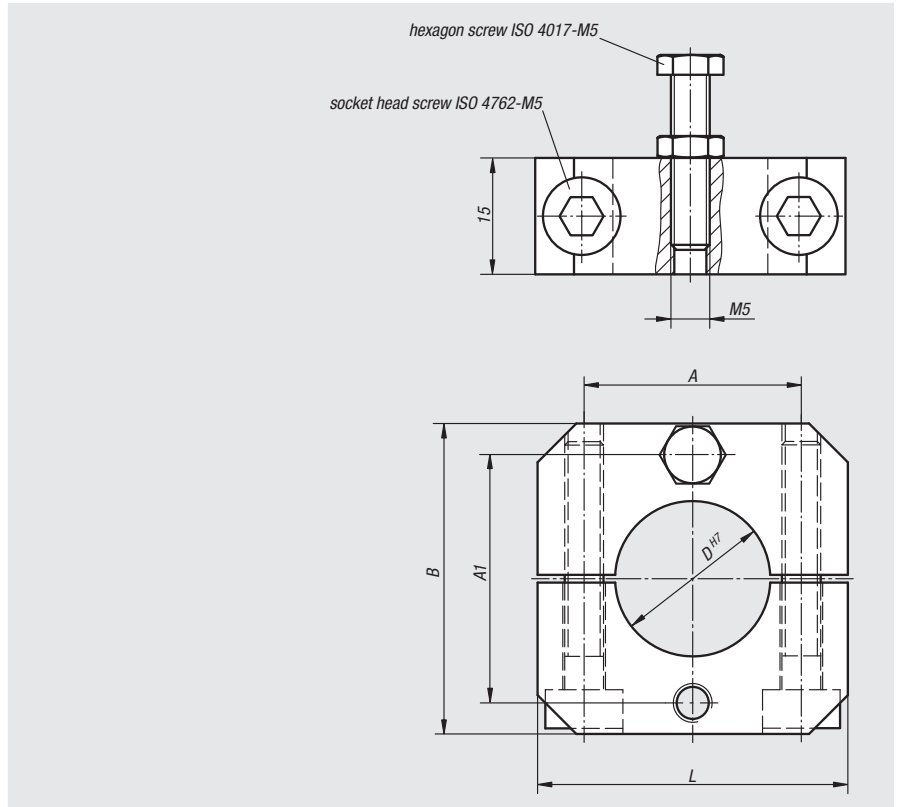


Material:
Aluminium EN AW-6060

Version:
Black anodised

Sample order:
nlm 29215-122

Note:
These shaft collars enable column bases and clamps to be precisely adjusted in the height and so guarantee the exact positioning of elements.



Order No.	Size	A	A1	B	D	L
29215-122	12	19	22	30	12	30
29215-202	20	28	32	40	20	40
29215-302	30	38	42	50	30	50
29215-402	40	48	52	60	40	60