

Column clamps double


Material:

Aluminium EN AW-6060

Version:

Black anodised

Sample order:

nIm 29207-2122

Note:

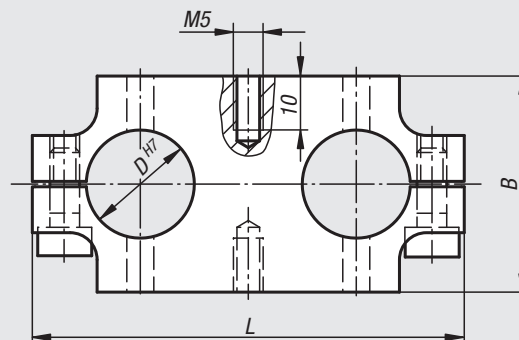
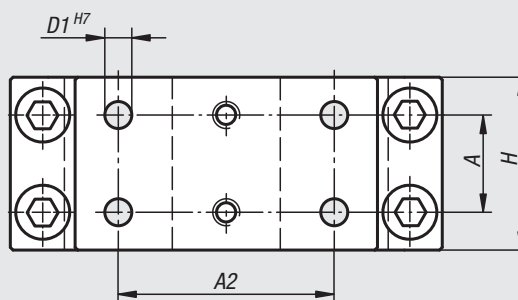
Double column clamps in four different sizes. Machined mounting faces with mounting and centring holes guarantee precise mounting of elements.

Drawing reference:

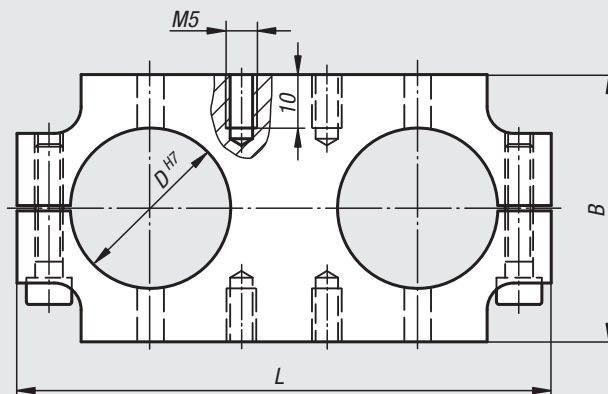
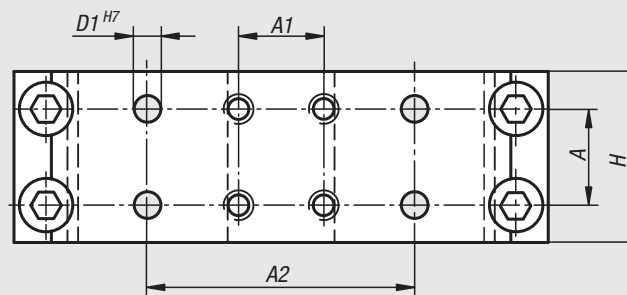
position tolerance of reamed holes: $\pm 0,01$

position tolerance of holes: $\pm 0,1$

29207-2122
29207-2202



29207-2302
29207-2402



Order No.	Size	A	A1	A2	B	D	D1	H	L
29207-2122	12	12	-	30	30	12	5	26	60
29207-2202	20	18	-	40	40	20	5	32	80
29207-2302	30	18	16	50	50	30	5	32	100
29207-2402	40	18	26	60	60	40	6	32	120