

Monitor brackets



Material:

High-strength material mix of thermoplastic/aluminium.

Version:

Black/bright.

Sample order:

nIm 29180-3001

Note:

We offer three different basic brackets for industrial monitors and touch panels:

Compact:

space-saving, with a swivel range of 60°. For loads up to 10 kg (static). With universal mounting plate. The basic bracket is suitable for mounting on tubes size Ø30 mm or 30x30 mm. By using the optional reducer sleeve 29040 they can also be mounted on other sized tubes (Ø20 and Ø25 mm or 20x20 and 25x25 mm).

With rotary flange:

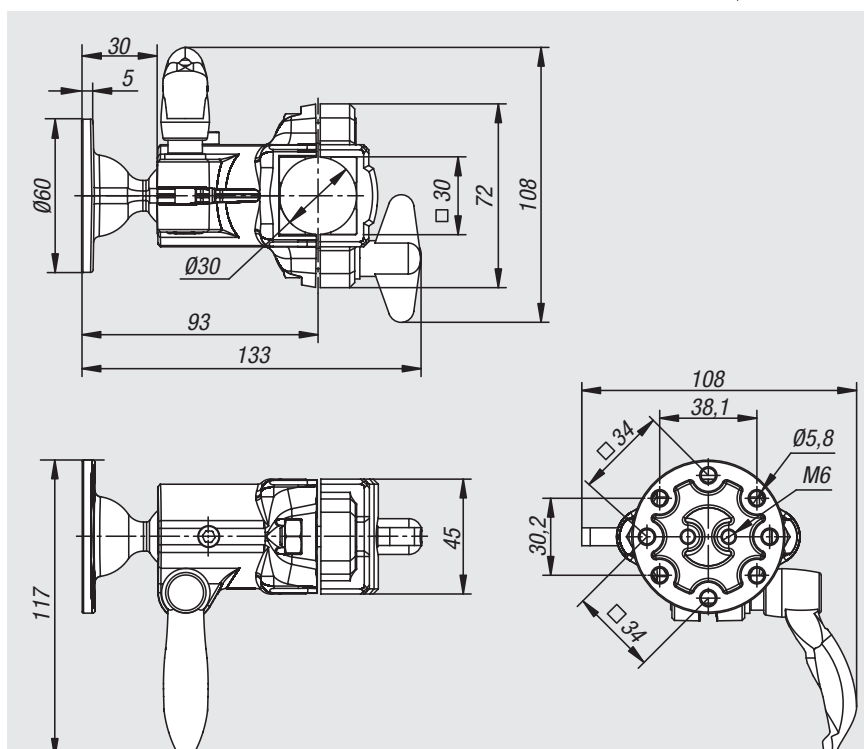
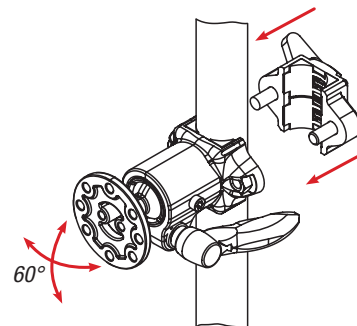
vibration-resistant, lockable monitor bracket with an angle adjustment of 90° in 15° increments. For monitors / control units up to 25 kg (static). With universal mounting plate. The basic bracket is suitable for mounting on tubes size Ø30 mm. By using the optional reducer sleeve 29042 they can also be mounted on other sized tubes (Ø20 and Ø25 mm or 20x20 mm).

With ball joint:

enables a swivel range of 60°. For loads up to 10 kg (static). With universal mounting plate. The basic bracket is suitable for mounting on tubes size Ø30 mm. By using the optional reducer sleeve 29042 they can also be mounted on other sized tubes (Ø20 and Ø25 mm or 20x20 mm).

Optional wall bracket, profile bracket, single/double support arms, tablet holder, keyboard tray or a VESA 50/75 or 75/100 connecting plate are available to offer various connections.

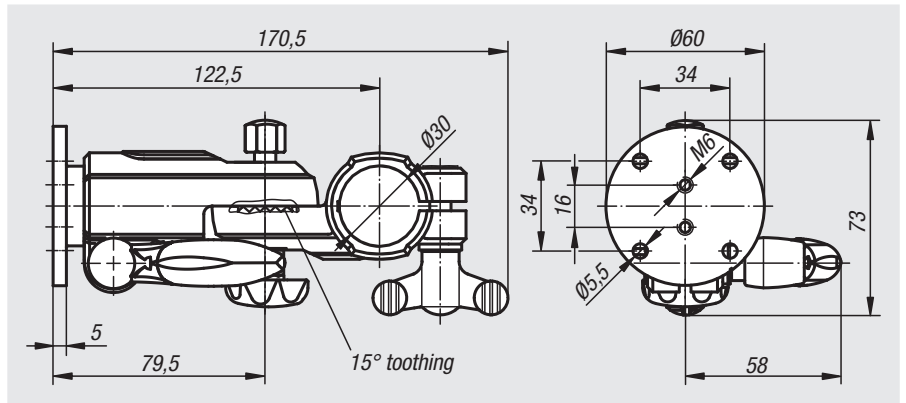
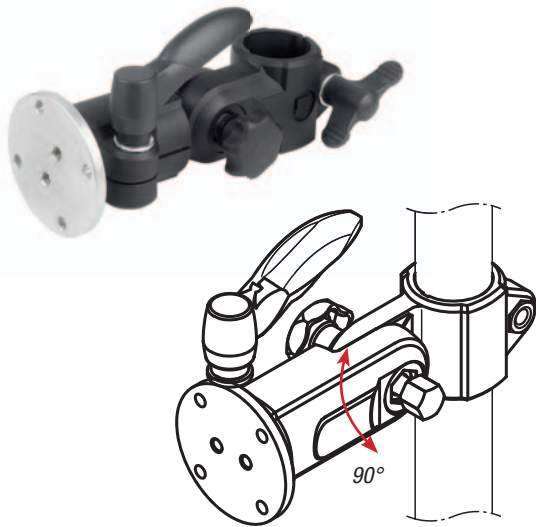
29180-3000



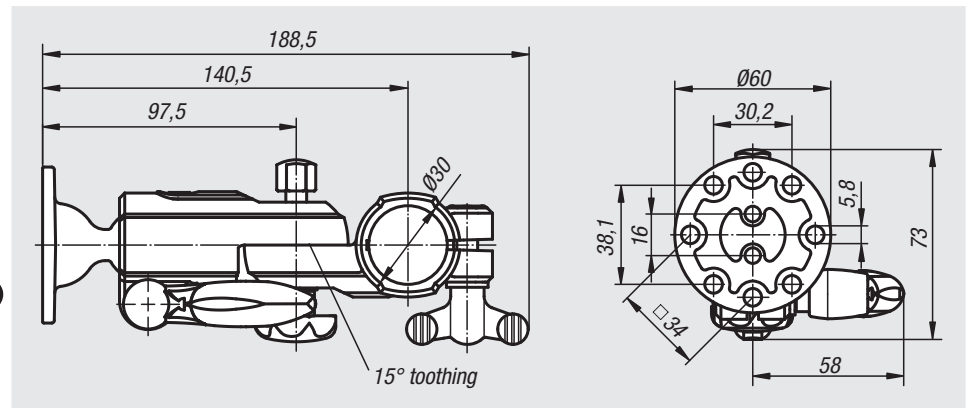
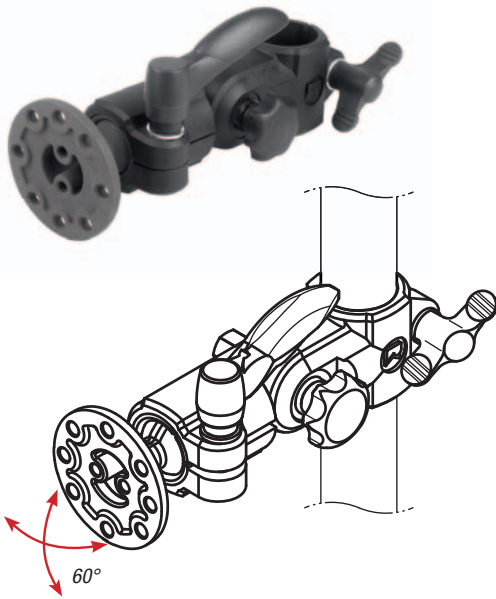
Order No.	Image	Version
29180-3000		compact
29180-3001		with rotary flange
29180-3002		with ball joint
29180-3003		wall bracket
29180-3004		profile bracket
29180-5075		vesa adapter plate
29180-75100		vesa adapter plate
29180-3010		support arm single
29180-3012		support arm double
29180-3014		support arm double
29180-3016		support arm telescopic
29180-3018		support arm telescopic
29180-3020		keyboard tray
29180-125200		tablet holder

Monitor brackets

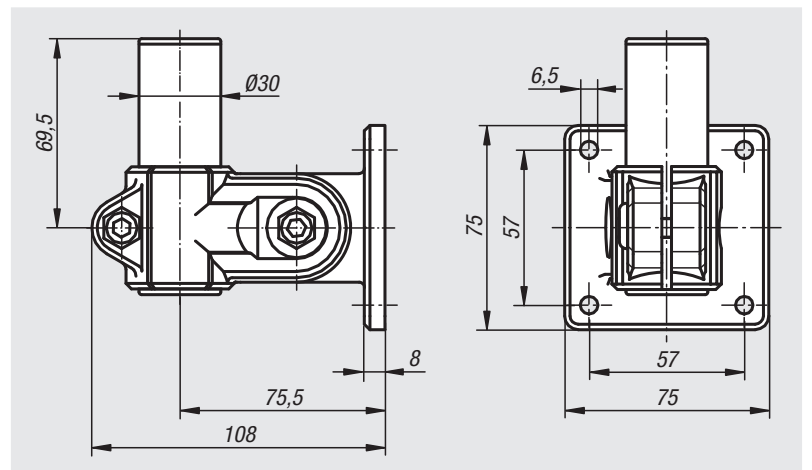
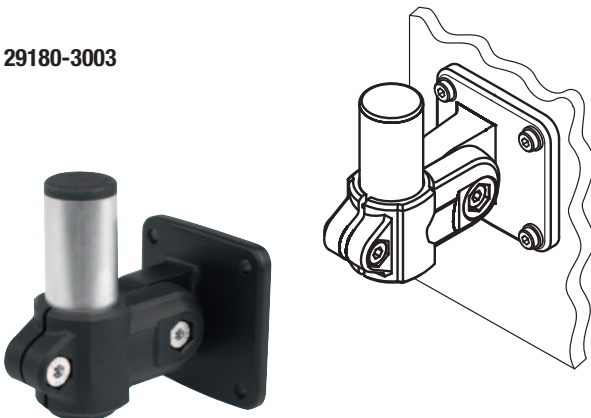
29180-3001



29180-3002

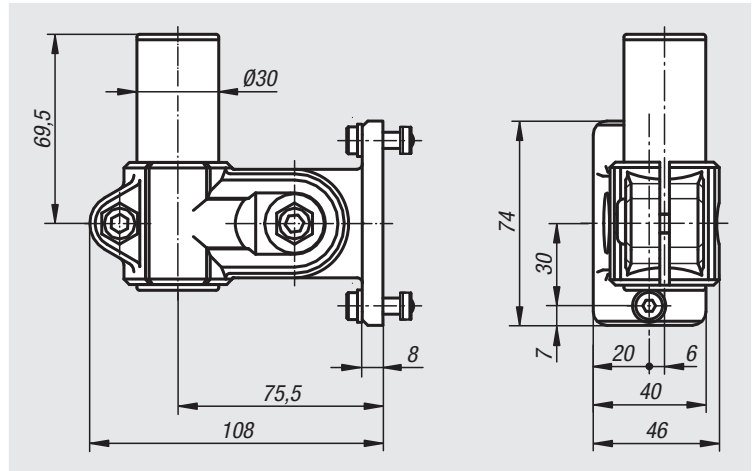
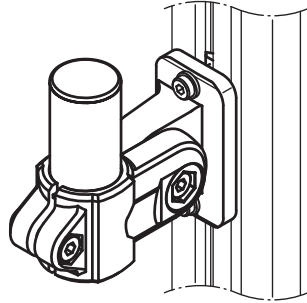


29180-3003

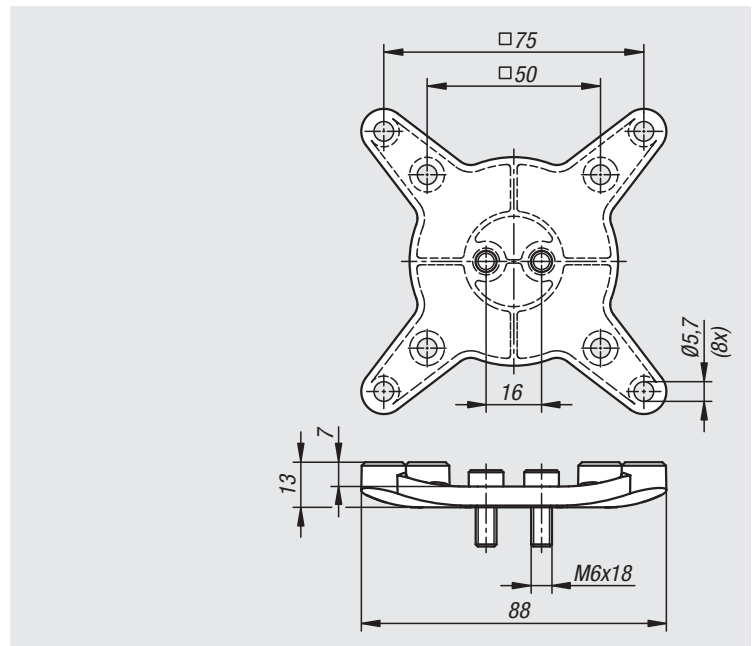
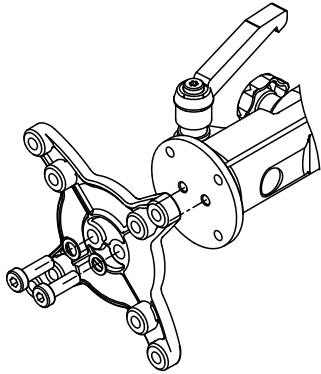


Monitor brackets

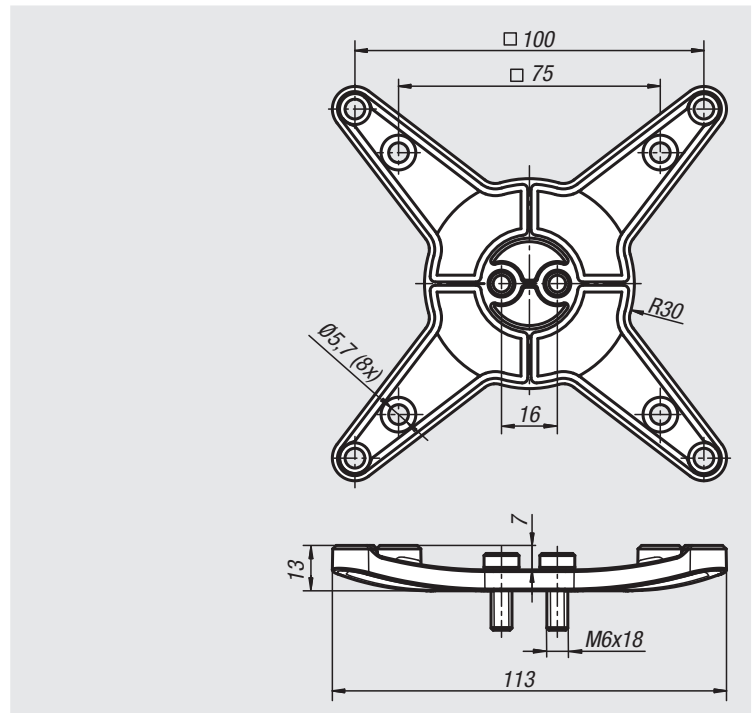
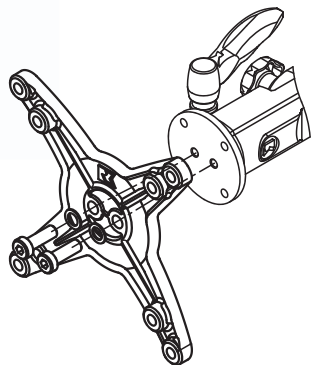
29180-3004



29180-5075

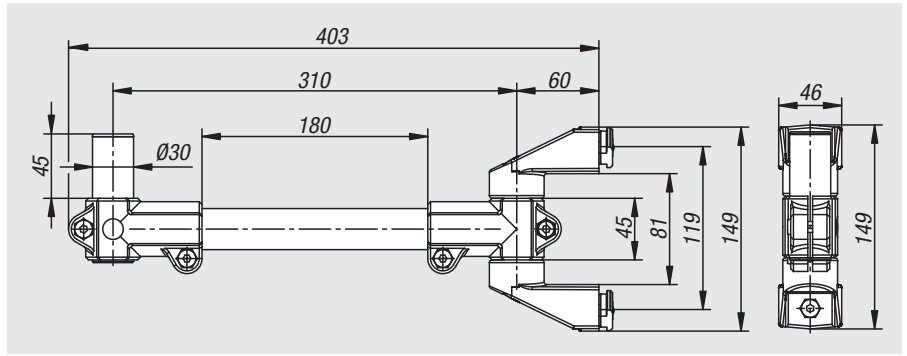
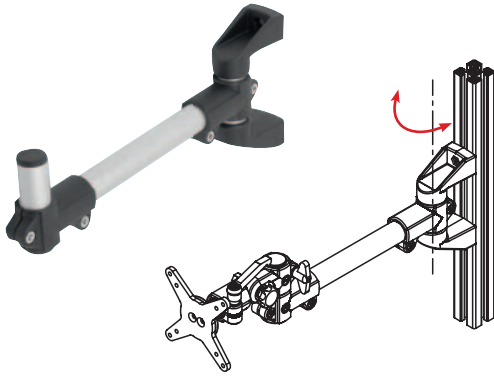


29180-75100

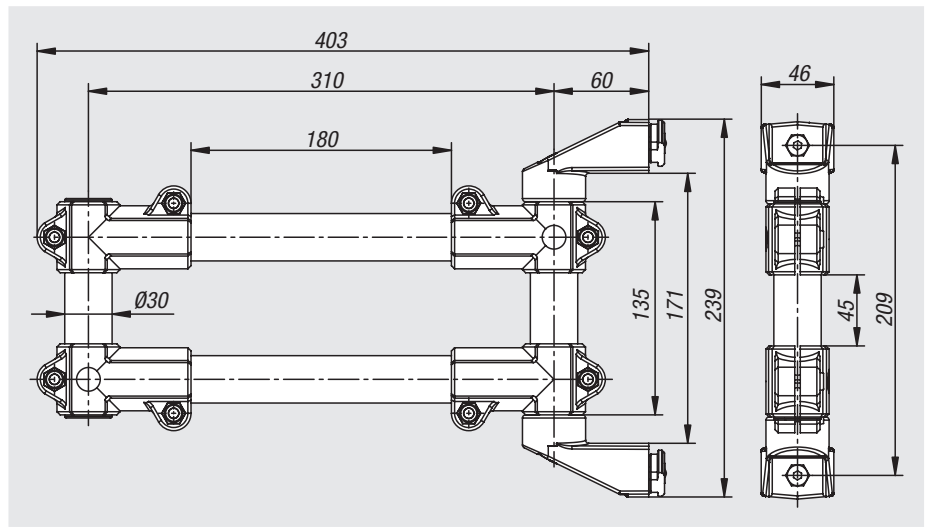
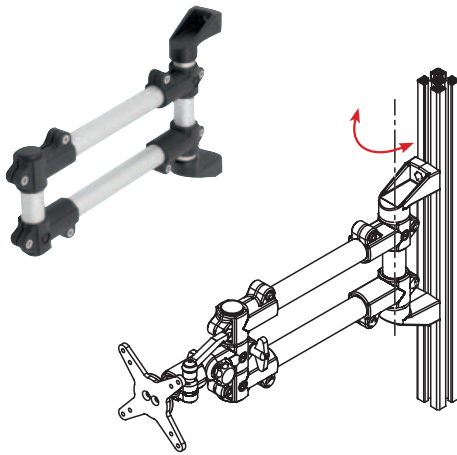


Monitor brackets

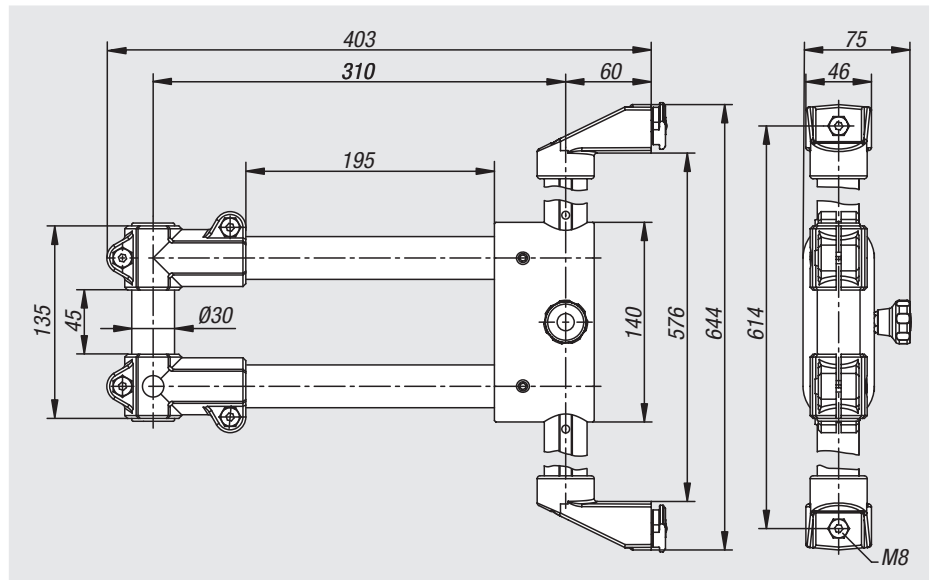
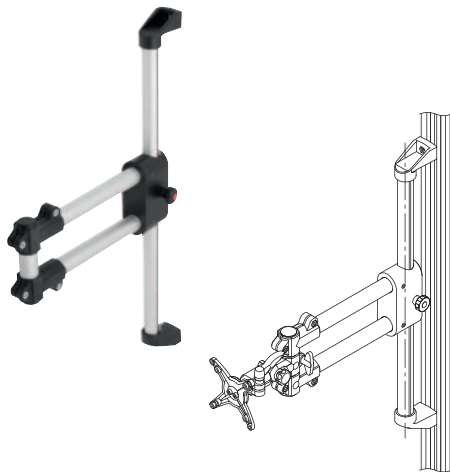
29180-3010



29180-3012



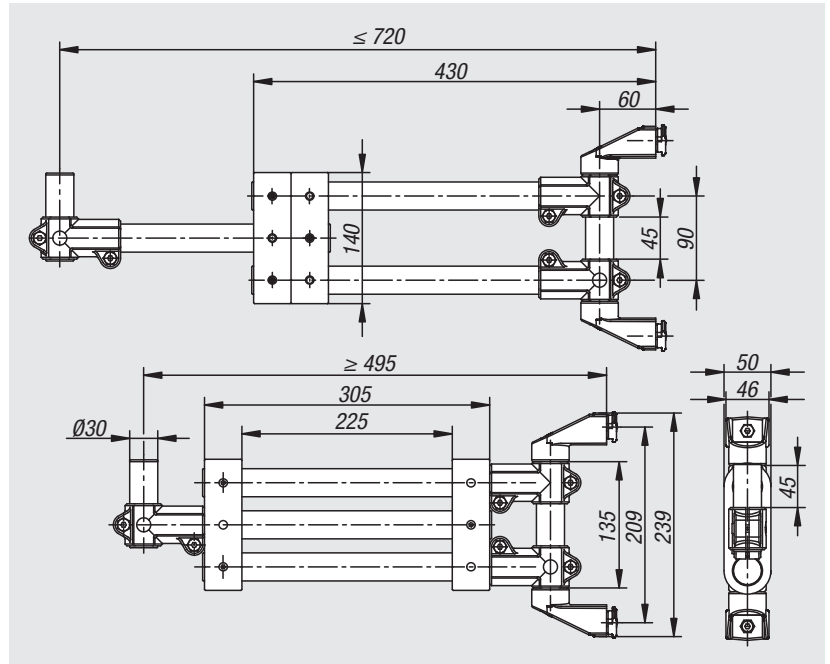
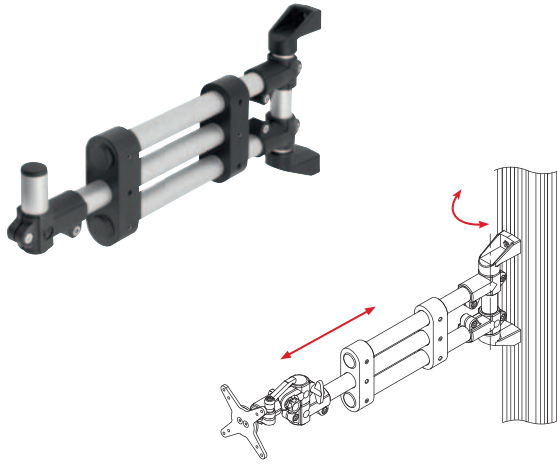
29180-3014



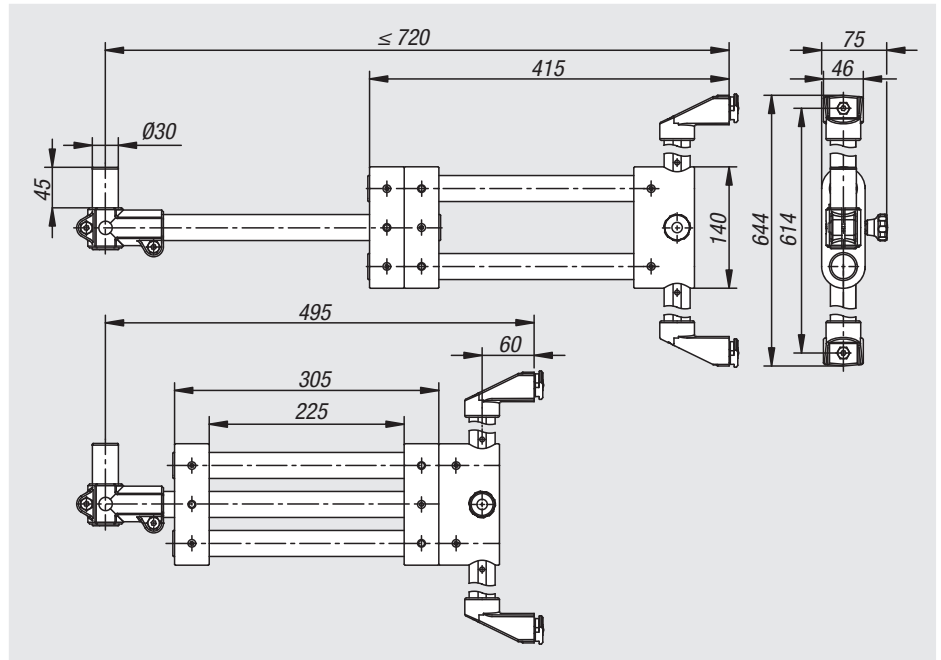
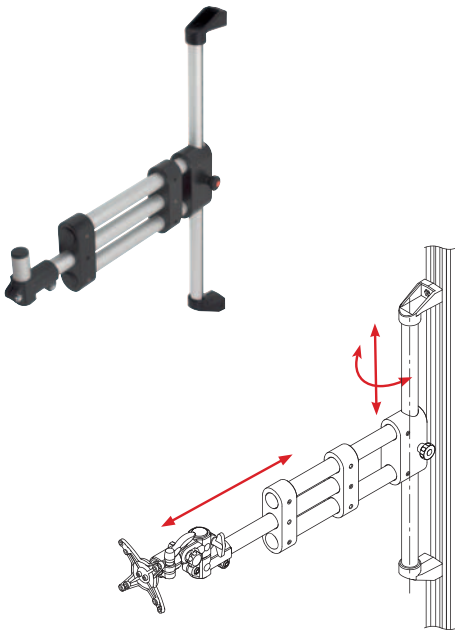
2000
21000
22000
23000
24000
26000
27000
28000
29000
31000
32000
33000

Monitor brackets

29180-3016

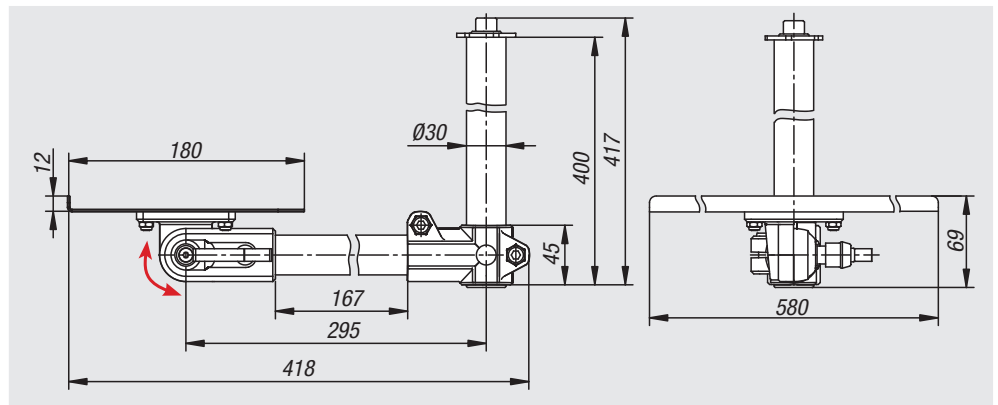
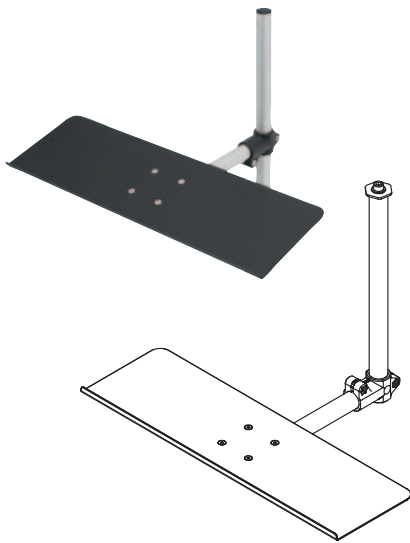


29180-3018

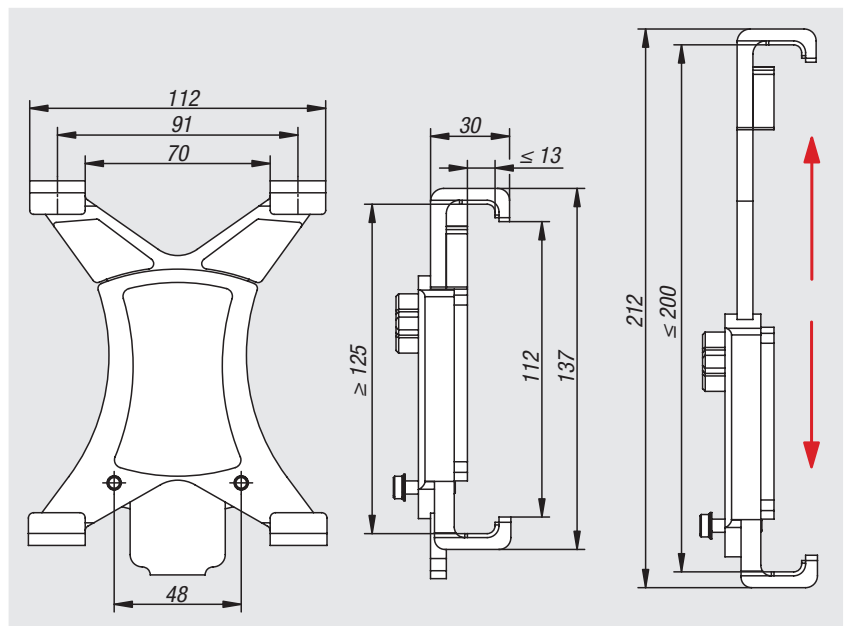
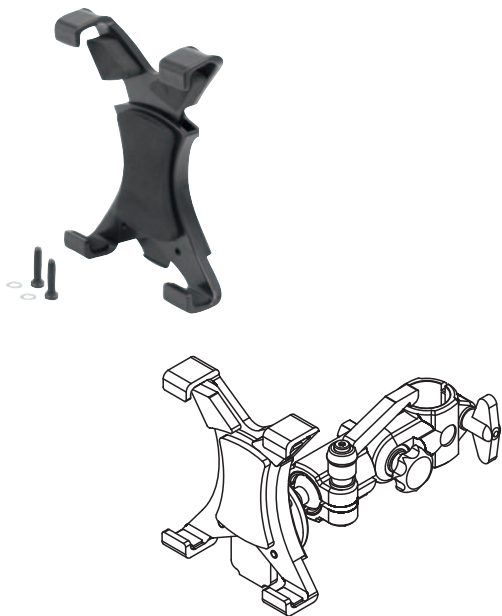


Monitor brackets

29180-3020



29180-125200



2000
21000
22000
23000
24000
26000
27000
28000
29000
31000
32000
33000