



Description

Material:

Mounting plate steel/plastic.
Monitor bracket aluminium.
Bearing washers and sleeves plastic.
Mounting flange aluminium.
Mounting adapter aluminium.
Screws steel.

Version:

Mounting plate painted.
Monitor bracket painted.
Mounting flange painted.
Mounting adapter painted.
Screws electro zinc-plated.

Note:

Screens weighing up to 20 kg can be attached to the monitor brackets and removed again as required without any effort. Furthermore, the height and the viewing angle of the monitor bracket arm can be adjusted. The mounted monitor can be rotated through 90°. The mounting plates of the monitor brackets are compatible with the VESA 75/100 standard.

Application:

With the help of the hex key, the force that has to be applied to adjust the various axis can increased or decreased.

Supplied with:

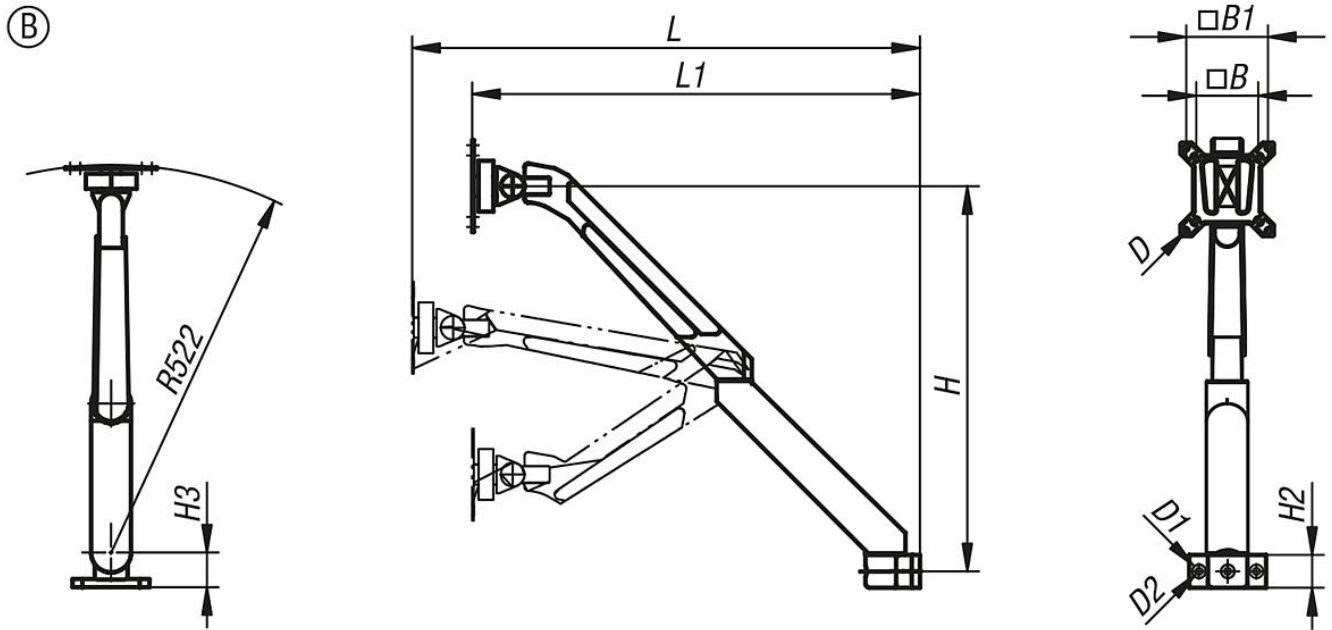
4 axis monitor bracket:

1x VESA mounting plate including 4x M4x12 Phillips head screws.
1x 4 axis monitor bracket including covered cable guide.
1x DIN 6912 M8x25 assembly screw.
1x mounting adapter.
2x DIN 6912 M8x16 assembly screws.
1x 3mm hex key.
1x 4mm hex key.

5 axis monitor bracket:

1x VESA mounting plate including 4x M4x12 Phillips head screws.
1x 5 axis monitor bracket including covered cable guide.
1x DIN 6912 M8x25 assembly screw.
1x mounting adapter.

2x DIN 6912 M8x16 assembly screws.
1x 3mm hex key.
1x 4mm hex key.



Overview of items

Order No.	Form	Form definition	B	B1	B2	B3	D	D1	D2	H	H2	L	L1	Permissible load kg
29180-05-6341	B	5 axis	75	100	94	70	5,3	13,8	9	464	40	634	560	2-10
29180-05-63411	B	5 axis	75	100	94	70	5,3	13,8	9	464	40	634	560	8-20