

Linear actuator connector clamps

base



Material:

Cast aluminium.
DIN 7984 screws and DIN 985 nuts, steel.

Version:

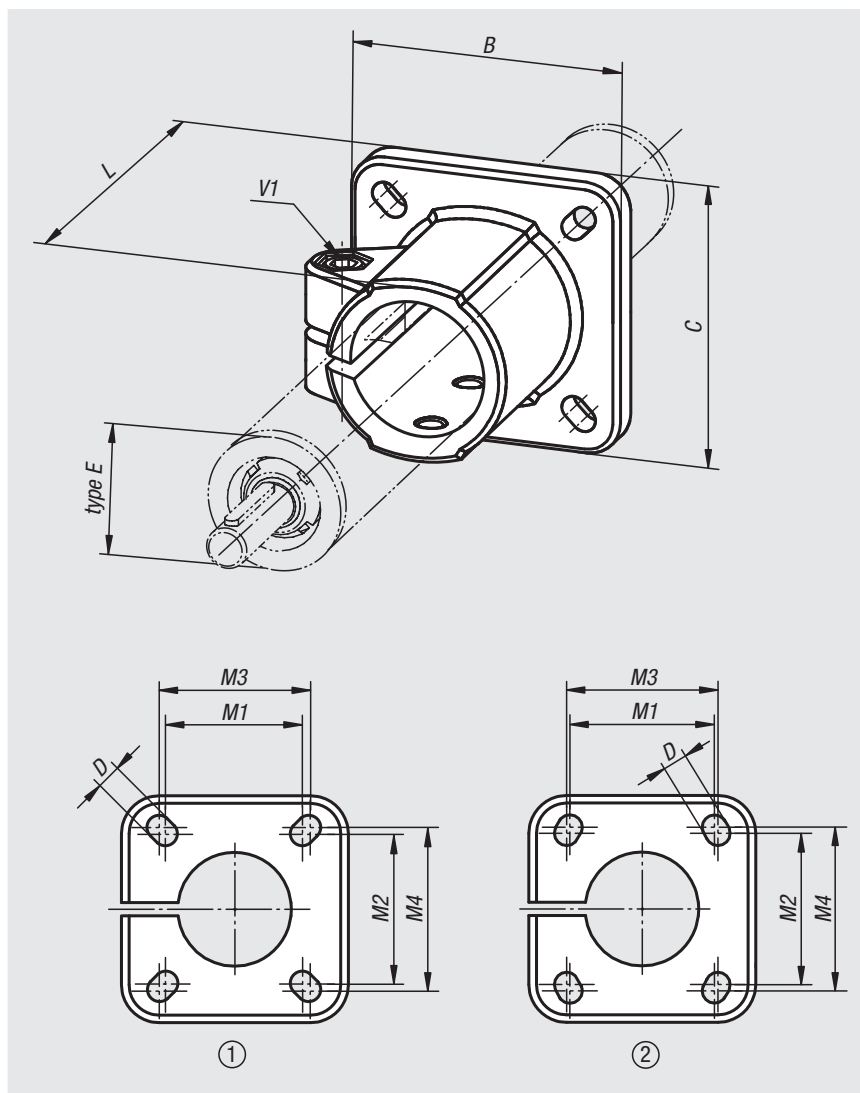
Black powder-coated.
Screws and nuts electro zinc-plated.

Sample order:

nIm 29135-30

On request:

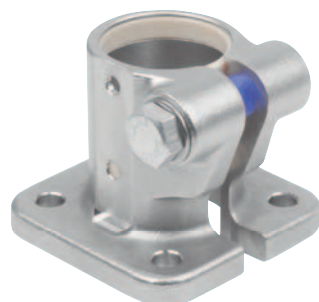
Clamping levers for tightening.



Order No.	hole arrangement	Type E	B	C	D	L	M1	M2	M3	M4	V1
29135-18	1	18	42	42	5,5	37	28	28	30	30	M6x20
29135-30	2	30	60	60	6,5	50	40	42	42	45	M8x25
29135-40	1	40	90	90	8,5	70	60	60	64	64	M10x30
29135-50	1	50	105	105	10,5	85	74	74	80	80	M10x35

Linear actuator connector clamps, stainless steel

base

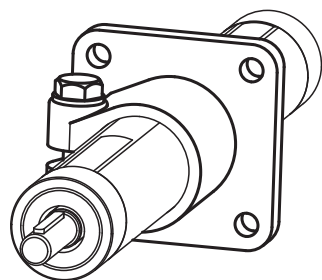
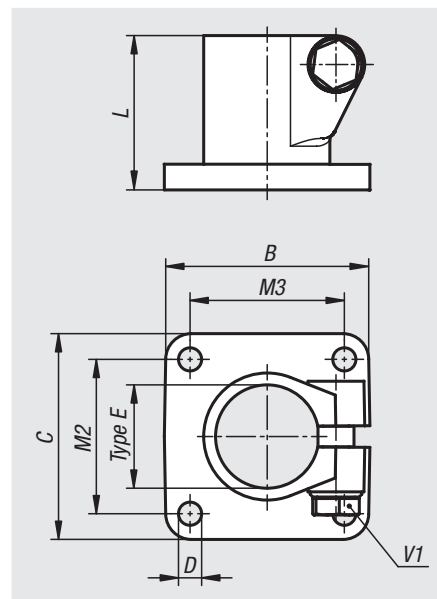


Material:
Stainless steel, investment cast 1.4308.
Screws, stainless steel A2.

Version:
Electropolished.

Sample order:
nlm 29135-130

On request:
Clamping levers for tightening.



Order No.	Type E	B	C	D	L	M2	M3	V1
29135-130	30	60	60	7	50	40	40	M8x30
29135-140	40	80	80	9	60	60	60	M10x35

20000
21000
22000
23000
24000
26000
27000
28000
29000
31000
32000
33000