

Linear actuator connector clamps

flange



Material:

Cast aluminium.
DIN 7984 screws and DIN 985 nuts, steel.

Version:

Black powder-coated.
Screws and nuts electro zinc-plated.

Sample order:

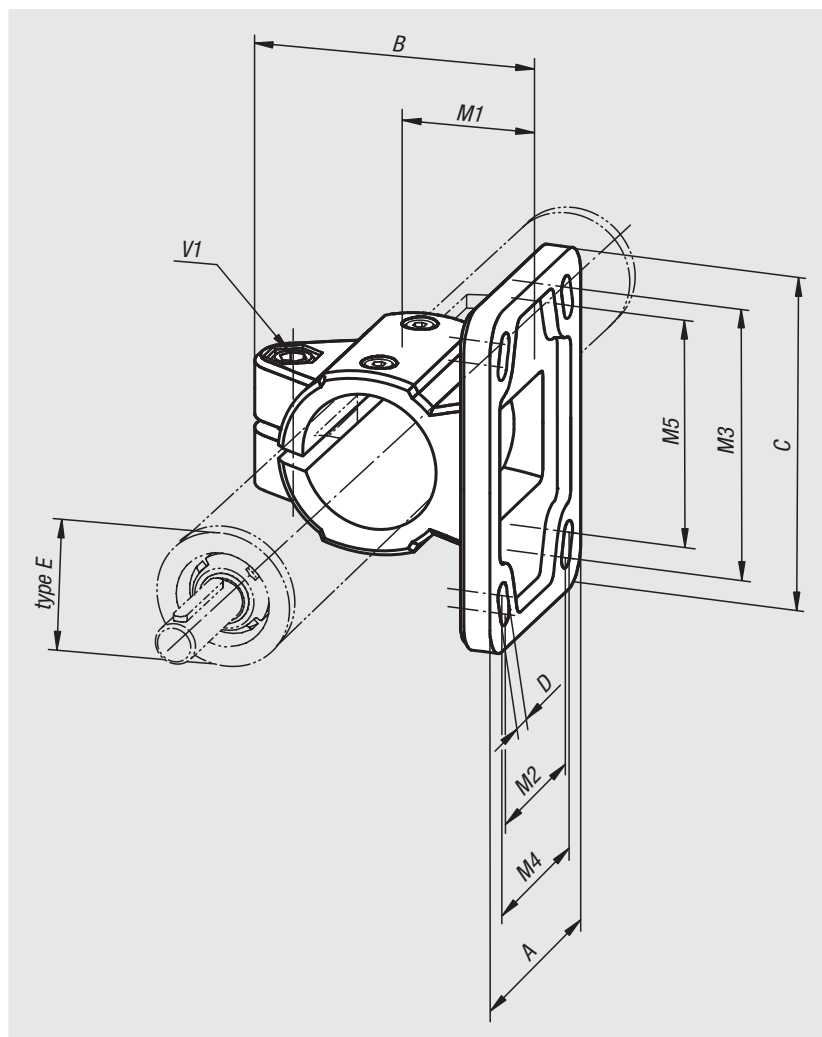
nIm 29130-50

Note:

* Elongated hole

On request:

Clamping levers for tightening.



Order No.	Type E	A	B	C	D	M1	M2	M3	M4	M5	V1
29130-18	18	37	42,5	50	5,5 (2x)	18	-	40	-	-	M6x16
29130-30	30	55	63	78	6,5* (2x)	30	-	60	-	53	M8x25
29130-40	40	80	87	105	8,5* (4x)	42	52	82	60	80	M10x30
29130-50	50	92	100	130	10,5* (4x)	50	60	100	62	98	M10x35

Linear actuator connector clamps, stainless steel

flange

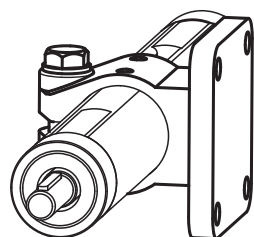
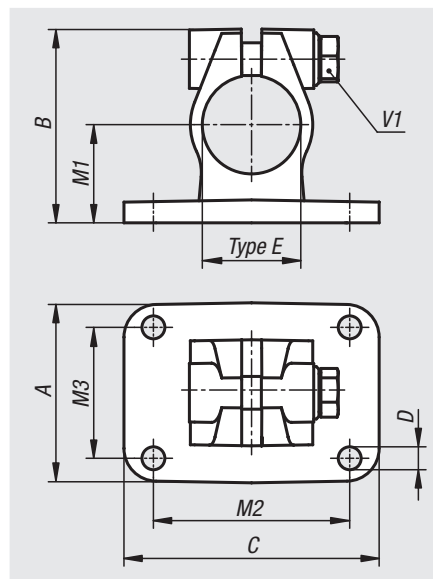


Material:
Stainless steel, investment cast 1.4308.
Screws, stainless steel A2.

Version:
Electropolished.

Sample order:
nlm 29130-130

On request:
Clamping levers for tightening.



Order No.	Type E	A	B	C	D	M1	M2	M3	V1
29130-130	30	55	59	78	7	30	60	40	M8x30
29130-140	40	80	80	80	9	42	60	60	M10x35