

Linear actuator connector clamps

cross



Material:

Cast aluminium.
Screws and nuts steel.

Version:

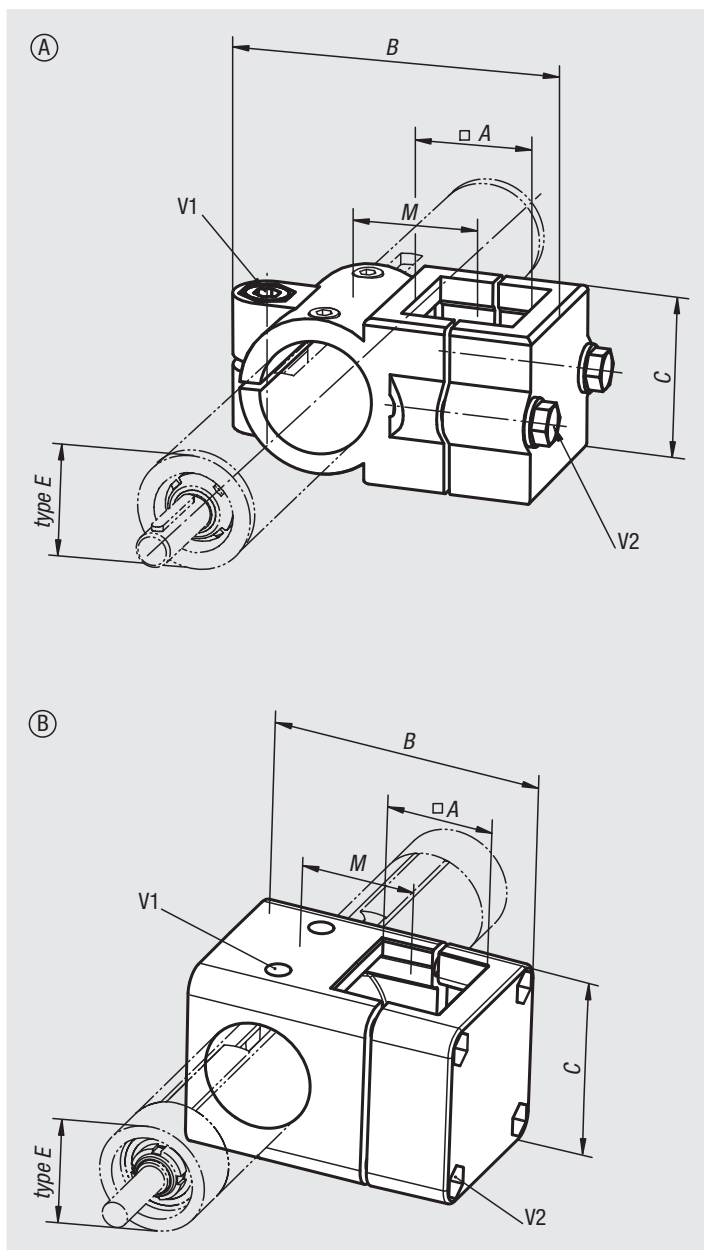
Black powder-coated.
Clamping screws and nuts electro zinc-plated.

Sample order:

nIm 29125-4040

On request:

Clamping levers for tightening.



Order No.	Form	Type E	A	B	C	M	V1	V2
29125-3030	A	30	30	86	45	33	M8x35	M8x35
29125-4040	A	40	40	117	60	47	M10x50	M8x45
29125-5050	B	50	50	126	86	53	M8x50	M8x50
29125-3030	A	30	30	86	45	33	M8x35	M8x35
29125-4040	A	40	40	117	60	47	M10x50	M8x45
29125-5050	B	50	50	126	86	53	M8x50	M8x50