

Linear actuator connector clamps

cross



Material:

Cast aluminium.
DIN 7984 screws and DIN 985 nuts, steel.

Version:

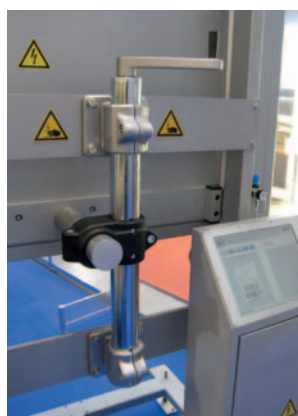
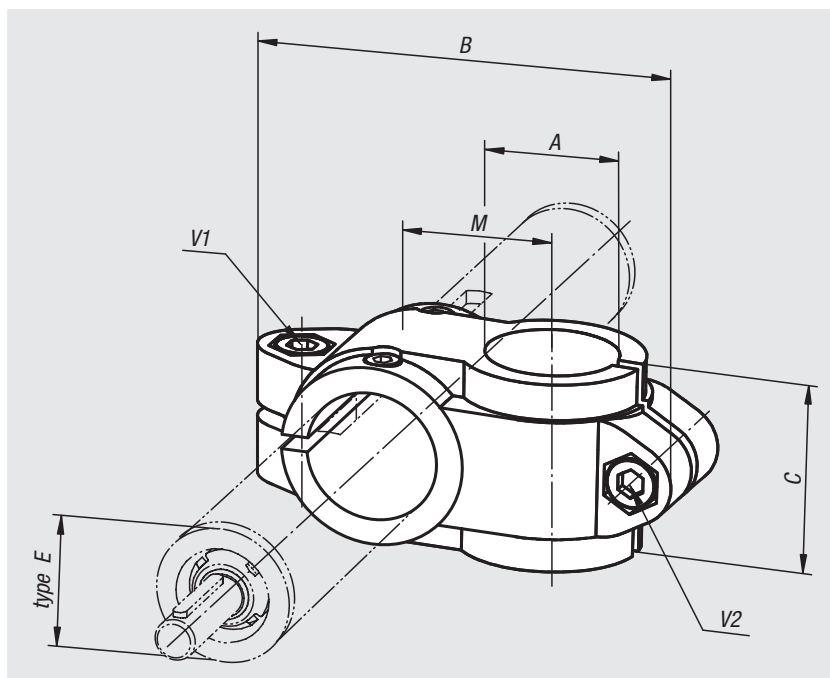
Black powder-coated.
Screws and nuts electro zinc-plated.

Sample order:

nIm 29120-1818

On request:

Clamping levers for tightening.



Order No.	Type E	A	B	C	M	V1	V2
29120-1818	18	18	66	25,5	20	M6x16	M6x16
29120-3020	30	20	99	40	33	M8x25	M8x25
29120-3030	30	30	99	40	33	M8x25	M8x25
29120-4020	40	20	109	40	36	M10x30	M8x25
29120-4040	40	40	137	60	45	M10x30	M10x30
29120-5040	50	40	154	70	54	M10x35	M10x35
29120-5050	50	50	154	70	54	M10x35	M10x35

Linear actuator connector clamps, stainless steel

cross

**Material:**

Stainless steel, investment cast 1.4308.
Screws, stainless steel A2.

Version:

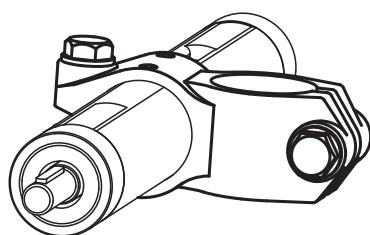
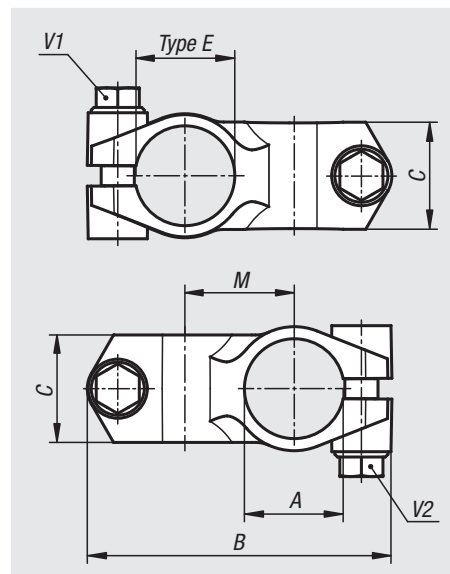
Electropolished.

Sample order:

nIm 29120-13030

On request:

Clamping levers for tightening.



Order No.	Type E	A	B	C	M	V1	V2
29120-13030	30	30	92	32,4	33	M8x30	M8x30
29120-14040	40	40	118	40	42	M10x35	M10x35