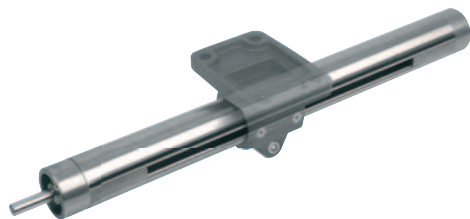


# Linear actuators



### Material, version:

Precision tube DIN EN 10305, stainless steel 1.4301.  
For type E 18, electro zinc-plated steel.  
Trapezoid thread spindle steel, RH thread, rolled.

### Sample order:

nIm 29105-300001X500

### Note:

Medium speed range, self-locking.

### On request:

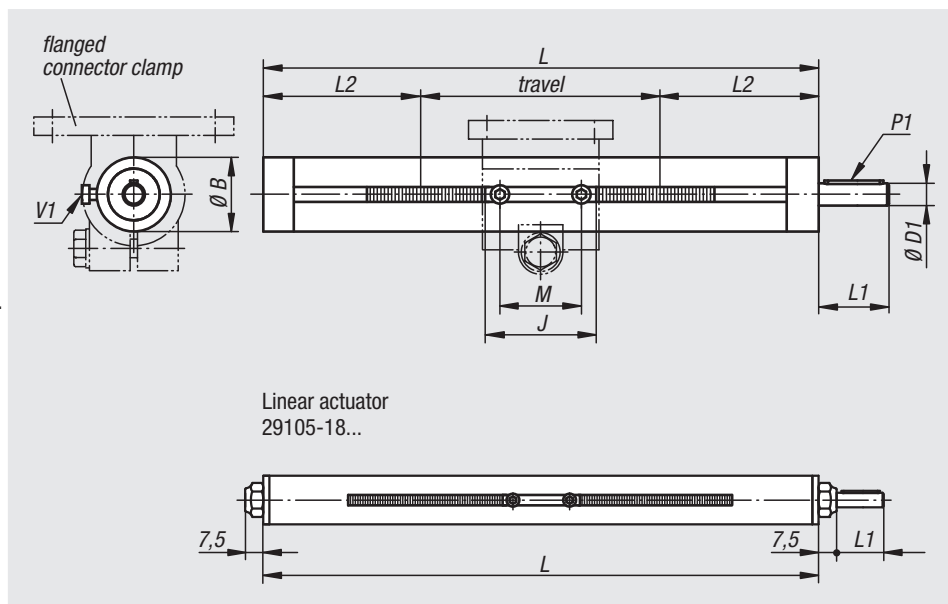
LH thread, stainless steel, 2 drive pins, other travel lengths, handwheels.

### Accessories:

- Guide clamps 29120, 29125, 29130, 29135
- Tube clamps from our tube clamping system

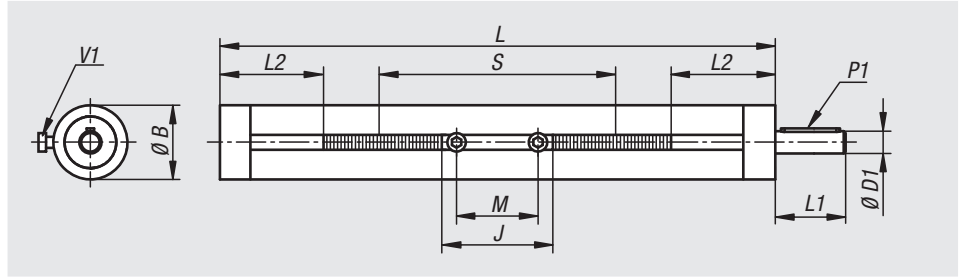
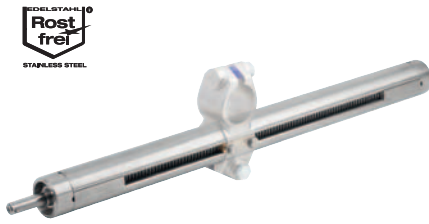
### Functional principle:

A rotating movement of the threaded spindle is converted into a linear movement of the guide carriage.



| Order No.         | Version 1          | Type E | Spindle | L    | Travel S | B  | D1    | J  | L1 | L2    | M  | P1<br>parallel key<br>DIN 6885 | V1    |
|-------------------|--------------------|--------|---------|------|----------|----|-------|----|----|-------|----|--------------------------------|-------|
| 29105-300001X300  | with plain bearing | 30     | Tr 14x3 | 300  | 100      | 30 | 8 h8  | 38 | 26 | 100   | 28 | 2 x 2 x 20                     | M4x8  |
| 29105-300001X500  | with plain bearing | 30     | Tr 14x3 | 500  | 300      | 30 | 8 h8  | 38 | 26 | 100   | 28 | 2 x 2 x 20                     | M4x8  |
| 29105-300001X800  | with plain bearing | 30     | Tr 14x3 | 800  | 600      | 30 | 8 h8  | 38 | 26 | 100   | 28 | 2 x 2 x 20                     | M4x8  |
| 29105-400001X300  | with plain bearing | 40     | Tr 20x4 | 300  | 91       | 40 | 12 h8 | 55 | 38 | 104,5 | 44 | 4 x 4 x 32                     | M6x10 |
| 29105-400001X500  | with plain bearing | 40     | Tr 20x4 | 500  | 291      | 40 | 12 h8 | 55 | 38 | 104,5 | 44 | 4 x 4 x 32                     | M6x10 |
| 29105-400001X800  | with plain bearing | 40     | Tr 20x4 | 800  | 591      | 40 | 12 h8 | 55 | 38 | 104,5 | 44 | 4 x 4 x 32                     | M6x10 |
| 29105-400001X1000 | with plain bearing | 40     | Tr 20x4 | 1000 | 791      | 40 | 12 h8 | 55 | 38 | 104,5 | 44 | 4 x 4 x 32                     | M6x10 |
| 29105-500001X500  | with plain bearing | 50     | Tr 20x4 | 500  | 265      | 50 | 12 h8 | 63 | 38 | 117,5 | 44 | 4 x 4 x 32                     | M6x10 |
| 29105-500001X800  | with plain bearing | 50     | Tr 20x4 | 800  | 565      | 50 | 12 h8 | 63 | 38 | 117,5 | 44 | 4 x 4 x 32                     | M6x10 |
| 29105-500001X1000 | with plain bearing | 50     | Tr 20x4 | 1000 | 765      | 50 | 12 h8 | 63 | 38 | 117,5 | 44 | 4 x 4 x 32                     | M6x10 |
| 29105-180101X300  | with ball bearing  | 18     | Tr 10x2 | 300  | 145      | 18 | 6 h9  | 24 | 17 | 77,5  | 18 | 2 x 2 x 12                     | M3x5  |
| 29105-180101X500  | with ball bearing  | 18     | Tr 10x2 | 500  | 345      | 18 | 6 h9  | 24 | 17 | 77,5  | 18 | 2 x 2 x 12                     | M3x5  |
| 29105-300101X300  | with ball bearing  | 30     | Tr 14x3 | 300  | 100      | 30 | 8 h8  | 38 | 26 | 100   | 28 | 2 x 2 x 20                     | M4x8  |
| 29105-300101X500  | with ball bearing  | 30     | Tr 14x3 | 500  | 300      | 30 | 8 h8  | 38 | 26 | 100   | 28 | 2 x 2 x 20                     | M4x8  |
| 29105-300101X800  | with ball bearing  | 30     | Tr 14x3 | 800  | 600      | 30 | 8 h8  | 38 | 26 | 100   | 28 | 2 x 2 x 20                     | M4x8  |
| 29105-400101X300  | with ball bearing  | 40     | Tr 20x4 | 300  | 91       | 40 | 12 h8 | 55 | 38 | 104,5 | 44 | 4 x 4 x 32                     | M6x10 |
| 29105-400101X500  | with ball bearing  | 40     | Tr 20x4 | 500  | 291      | 40 | 12 h8 | 55 | 38 | 104,5 | 44 | 4 x 4 x 32                     | M6x10 |
| 29105-400101X800  | with ball bearing  | 40     | Tr 20x4 | 800  | 591      | 40 | 12 h8 | 55 | 38 | 104,5 | 44 | 4 x 4 x 32                     | M6x10 |
| 29105-400101X1000 | with ball bearing  | 40     | Tr 20x4 | 1000 | 791      | 40 | 12 h8 | 55 | 38 | 104,5 | 44 | 4 x 4 x 32                     | M6x10 |
| 29105-500101X500  | with ball bearing  | 50     | Tr 20x4 | 500  | 265      | 50 | 12 h8 | 63 | 38 | 117,5 | 44 | 4 x 4 x 32                     | M6x10 |
| 29105-500101X800  | with ball bearing  | 50     | Tr 20x4 | 800  | 565      | 50 | 12 h8 | 63 | 38 | 117,5 | 44 | 4 x 4 x 32                     | M6x10 |
| 29105-500101X1000 | with ball bearing  | 50     | Tr 20x4 | 1000 | 765      | 50 | 12 h8 | 63 | 38 | 117,5 | 44 | 4 x 4 x 32                     | M6x10 |

# Linear actuators, stainless steel



### Material:

DIN EN 10305 precision tube, stainless steel 1.4301  
Trapezoidal thread spindle, right-hand thread, rolled, stainless steel 1.4301

### Sample order:

nIm 29105-1300101X500

### Note:

Medium speed range, self-locking.

### On request:

Left-hand thread, 2 drive cones, other travels or handwheels.

### Accessories:

- Guides, stainless steel, 29120, 29130, 29135
- Clamping elements of the tubular connection system

### Functional principle:

A rotating movement of the threaded spindle is converted into a linear movement of the guide carriage.

| Order No.          | Version 1         | Type E | Spindle | L    | Travel S | B  | D1    | J  | L1 | L2 | M  | P1<br>parallel key<br>DIN 6885 | V1    |
|--------------------|-------------------|--------|---------|------|----------|----|-------|----|----|----|----|--------------------------------|-------|
| 29105-1300101X300  | with ball bearing | 30     | Tr 14x3 | 300  | 140      | 30 | 8 h8  | 31 | 26 | 80 | 22 | 2 x 2 x 20                     | M4x8  |
| 29105-1300101X500  | with ball bearing | 30     | Tr 14x3 | 500  | 340      | 30 | 8 h8  | 31 | 26 | 80 | 22 | 2 x 2 x 20                     | M4x8  |
| 29105-1300101X800  | with ball bearing | 30     | Tr 14x3 | 800  | 640      | 30 | 8 h8  | 31 | 26 | 80 | 22 | 2 x 2 x 20                     | M4x8  |
| 29105-1400101X300  | with ball bearing | 40     | Tr 20x4 | 300  | 146      | 40 | 12 h8 | 39 | 38 | 77 | 28 | 4 x 4 x 32                     | M6x10 |
| 29105-1400101X500  | with ball bearing | 40     | Tr 20x4 | 500  | 346      | 40 | 12 h8 | 39 | 38 | 77 | 28 | 4 x 4 x 32                     | M6x10 |
| 29105-1400101X800  | with ball bearing | 40     | Tr 20x4 | 800  | 646      | 40 | 12 h8 | 39 | 38 | 77 | 28 | 4 x 4 x 32                     | M6x10 |
| 29105-1400101X1000 | with ball bearing | 40     | Tr 20x4 | 1000 | 846      | 40 | 12 h8 | 39 | 38 | 77 | 28 | 4 x 4 x 32                     | M6x10 |