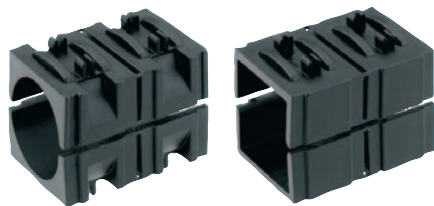


Reducer sleeves

square

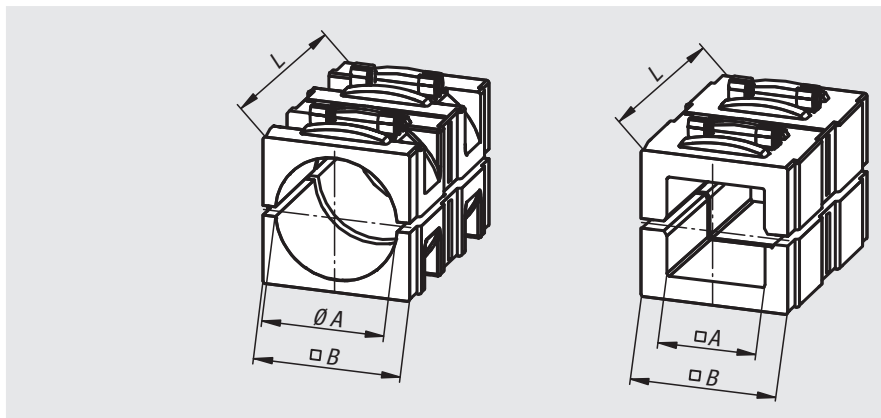


Material:
Thermoplastic.

Version:
black.

Sample order:
nlm 29040-03020

Note:
Reducer sleeves are for clamping smaller tubes or where a conversion of square to round tubes is required.



Order No.	Version 2	A	B	L
29040-03020	for round tubes	Ø 20,25	30,3	45
29040-03025	for round tubes	Ø 25,25	30,3	45
29040-03030	for round tubes	Ø 30,25	30,3	45
29040-13020	for square tubes	20,5	30,3	45
29040-13025	for square tubes	25,5	30,3	45

Reducer sleeves

round

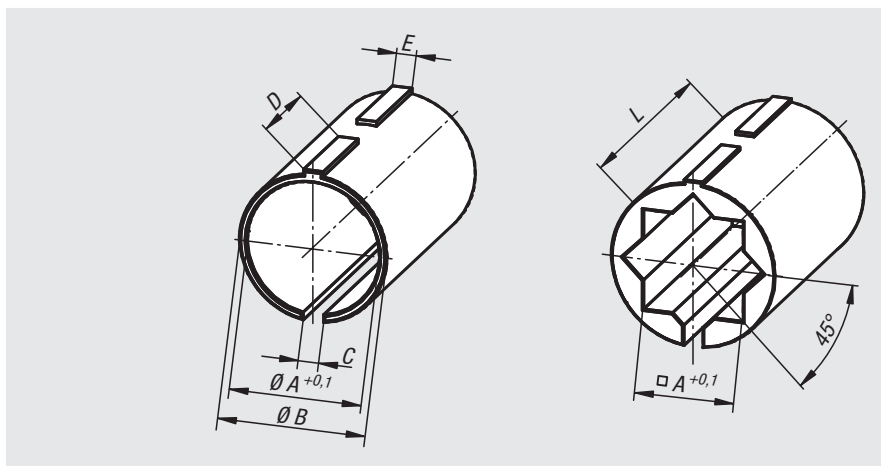


Material:
Thermoplastic.

Version:
black.

Sample order:
nlm 29042-03020

Note:
Reducer sleeves are for clamping smaller tubes or where a conversion of round to square tubes is required.



Order No.	Version 2	A	B	C	D	E	L
29042-01812	for round tubes	12,25	18	2,5	11,9	2,4	30
29042-01814	for round tubes	14,25	18	2,5	11,9	2,4	30
29042-01815	for round tubes	15,25	18	2,5	11,9	2,4	30
29042-01816	for round tubes	16,25	18	2,5	11,9	2,4	30
29042-03020	for round tubes	20,25	30	3,5	18,9	3,4	45
29042-03025	for round tubes	25,25	30	3,5	18,9	3,4	45
29042-11810	for square tubes	10,25	18	2,5	11,9	2,4	30
29042-13020	for square tubes	20,25	30	3,5	18,9	3,4	45