

Tube clamps

swivel base, plastic



Material:

Thermoplastic.
DIN 7984 screws and DIN 985 nuts steel.

Version:

Black.
Screws and nuts electro zinc-plated.

Sample order:

n1m 29036-18

Note:

Tube swivel clamps can be seamlessly rotated through 180°.
The standard size for round tubes is Ø18 mm or Ø30 mm.
Use reducer sleeves 29042 if smaller tubes are to be clamped or a conversion from round to square tubes is required.

On request:

Plastic levers for locking.

Accessories:

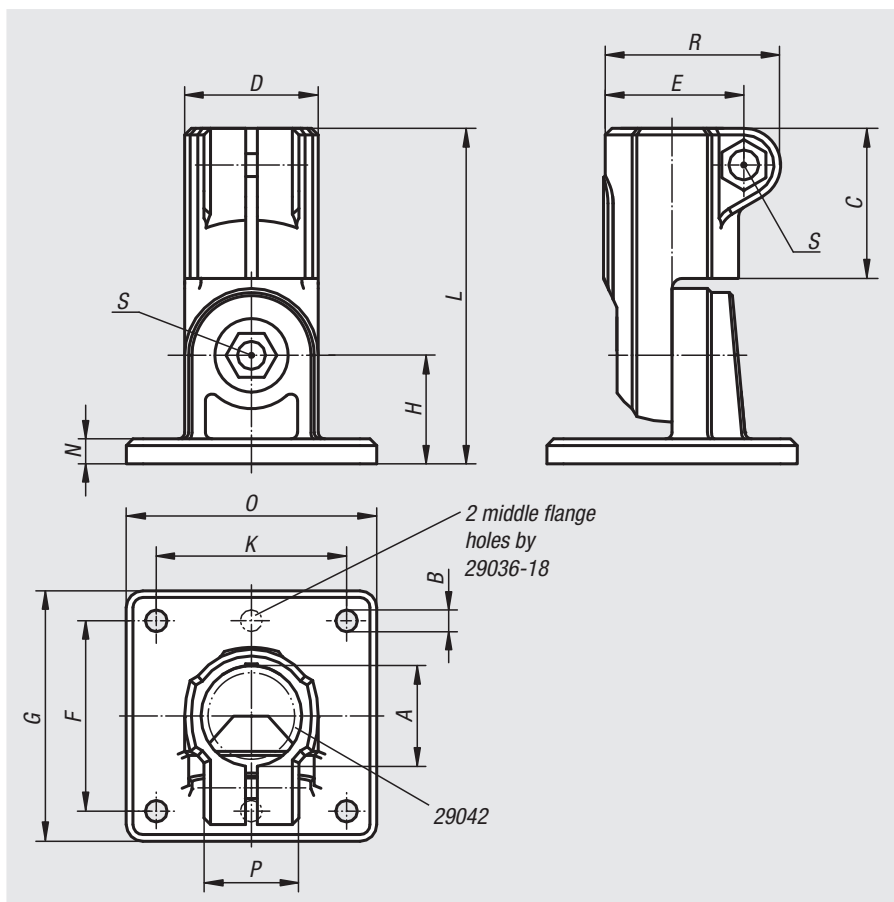
- Reducer sleeves 29042
- Round and square tubes 29050

Attention:

Tightening torque for clamping screws:

M6: 10 Nm

M8: 25 Nm



Order No.	A	B	C	D	E	F	G	H	K	L	N	O	P	R	S
29036-18	18	5,3 (2x)	30	25	26,5	40	50	20	-	65	5	35	21	34	M6x18
29036-30	30	6,5 (4x)	45	40	41,5	60	75	32,5	60	100,5	7,5	75	28,5	52,5	M8x25

Tube clamps

swivel base, aluminium



Material:

Cast aluminium.
DIN 7984 screws and DIN 985 nuts, steel.

Version:

Vibratory ground.
Screws and nuts electro zinc-plated.

Sample order:

nIm 29036-518

Note:

Tube swivel clamps can be seamlessly rotated through 180°.

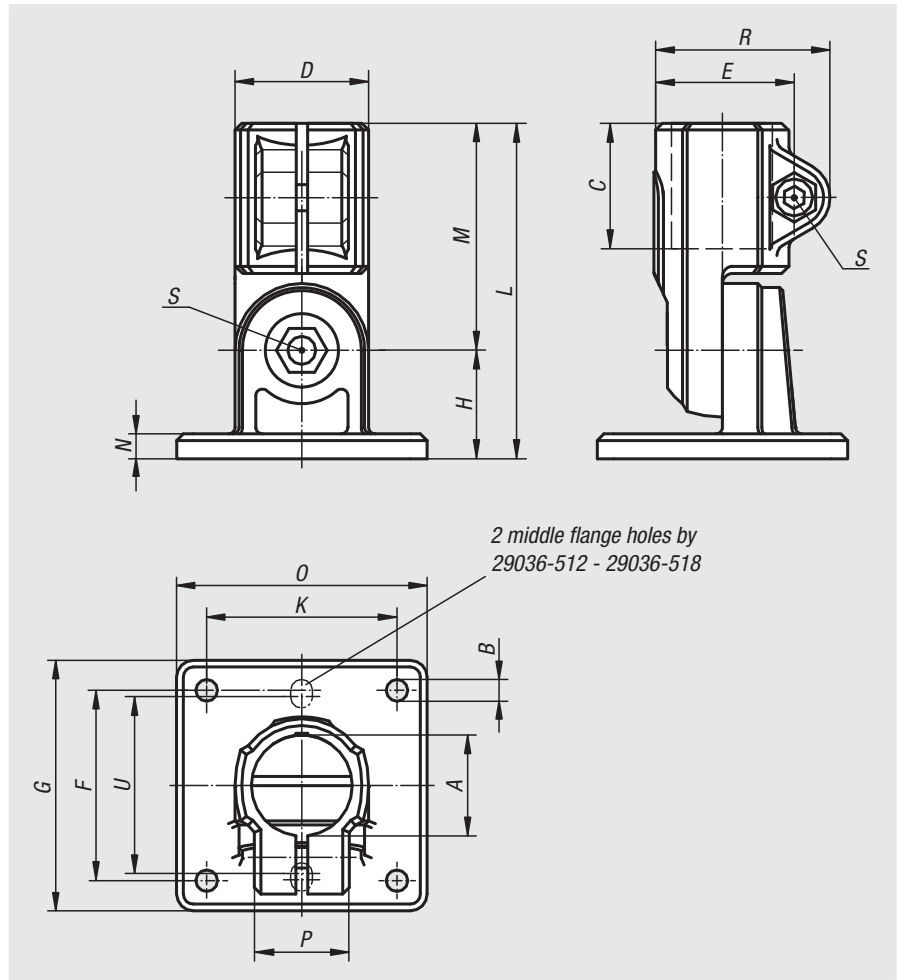
* Elongated hole

On request:

Levers for locking and other diameters.

Accessories:

- Round and square tubes 29050



Order No.	A	B	C	D	E	F	G	H	K	L	M	N	O	P	R	S	U
29036-512	12,1	6* (2x)	25	26	29,4	40	50	20	-	64	44	5	35	21	37,5	M6x18	38
29036-514	14,1	6* (2x)	25	26	29,4	40	50	20	-	64	44	5	35	21	37,5	M6x18	38
29036-516	16,1	6* (2x)	25	26	29,4	40	50	20	-	64	44	5	35	21	37,5	M6x18	38
29036-518	18,1	6* (2x)	25	26	29,4	40	50	20	-	64	44	5	35	21	37,5	M6x18	38
29036-520	20,1	7* (4x)	45	40	42	57	75	33	57	106	73	7	75	33	52	M8x35	-
29036-525	25,1	7* (4x)	45	40	42	57	75	33	57	106	73	7	75	33	52	M8x35	-
29036-530	30,1	7* (4x)	45	40	42	57	75	33	57	106	73	7	75	33	52	M8x35	-
29036-540	40,2	9* (4x)	60	56	57	76	100	44	76	144	100	10	100	48	69	M10x50	-