

Tube clamps

swivel, plastic



Material:

Thermoplastic.
DIN 7984 screws and DIN 985 nuts steel.

Version:

Black.
Screws and nuts electro zinc-plated.

Sample order:

nIm 29034-18

Note:

Tube swivel clamps can be seamlessly rotated through 180°. The standard size for round tubes is Ø18 mm or Ø30 mm. Use reducer sleeves 29042 if smaller tubes are to be clamped or a conversion from round to square tubes is required.

On request:

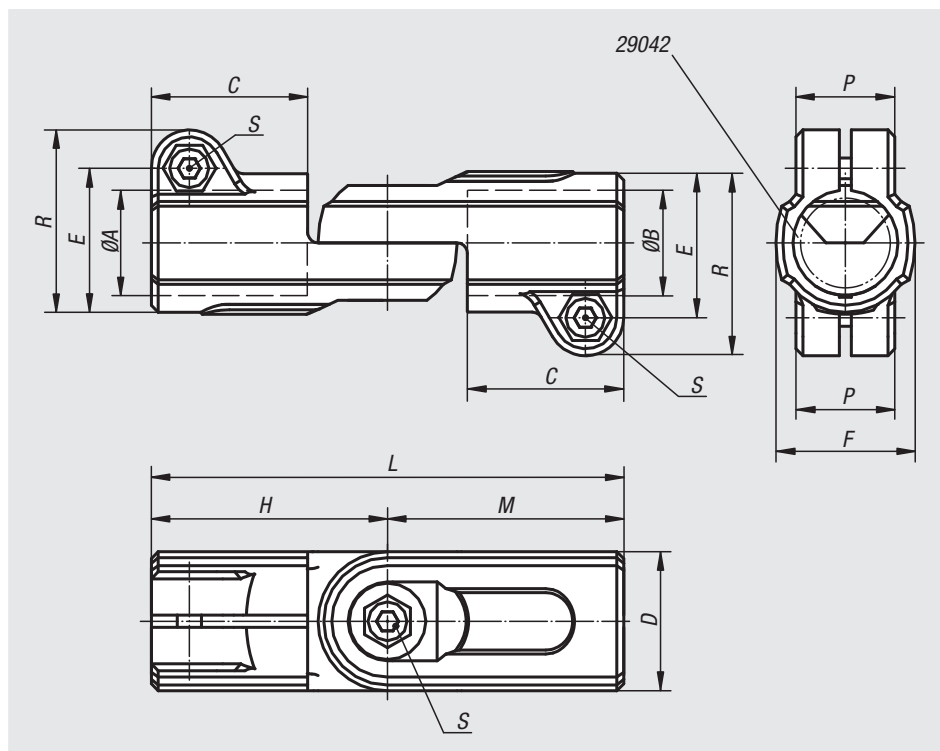
Plastic levers for locking.

Accessories:

- Reducer sleeves 29042
- Round and square tubes 29050

Attention:

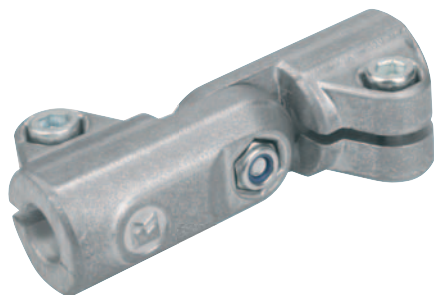
Tightening torque for clamping screws:
M6: 10 Nm
M8: 25 Nm



Order No.	A	B	C	D	E	F	H	L	M	P	R	S
29034-18	18	18	30	25	26,5	25	45	90	45	21	34	M6x18
29034-30	30	30	45	40	41,5	40	68	136	68	28,5	52,5	M8x25

Tube clamps

swivel, aluminium



Material:

Cast aluminium.
DIN 7984 screws and DIN 985 nuts, steel.

Version:

Vibratory ground.
Screws and nuts electro zinc-plated.

Sample order:

nIm 29034-540

Note:

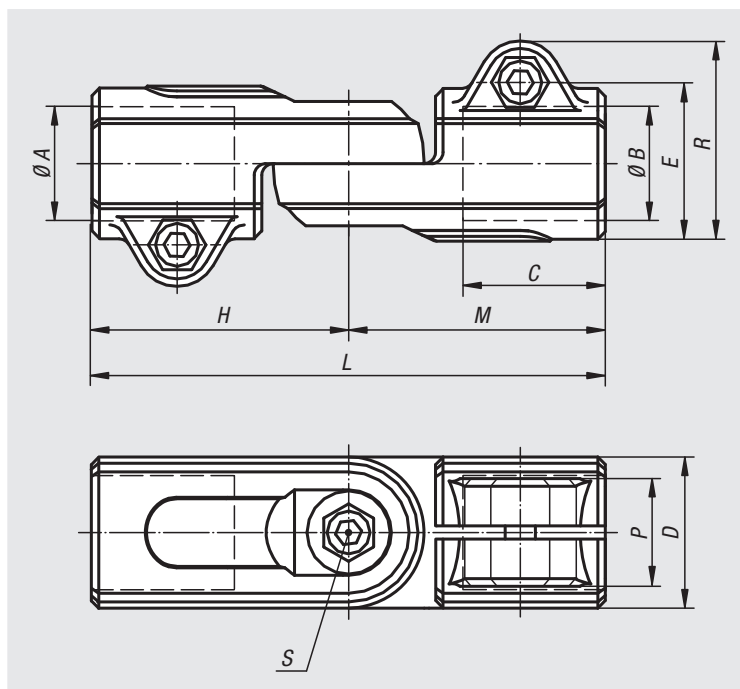
Tube swivel clamps can be seamlessly rotated through 180°.

On request:

Levers for locking and other diameters.

Accessories:

- Round and square tubes 29050



Order No.	A	B	C	D	E	H	L	M	P	R	S
29034-512	12,1	12,1	25	26	29,4	44	88	44	21	37,5	M6x18
29034-514	14,1	14,1	25	26	29,4	44	88	44	21	37,5	M6x18
29034-516	16,1	16,1	25	26	29,4	44	88	44	21	37,5	M6x18
29034-518	18,1	18,1	25	26	29,4	44	88	44	21	37,5	M6x18
29034-520	20,1	20,1	45	40	40	73	146	73	33	51	M8x35
29034-525	25,1	25,1	45	40	40	73	146	73	33	51	M8x35
29034-530	30,1	30,1	45	40	40	73	146	73	33	51	M8x35
29034-540	40,15	40,15	60	56	56	100	200	100	48	70	M10x50