

Tube clamps

swivel, plastic



Material:

Thermoplastic.
DIN 7984 screws and DIN 985 nuts steel.

Version:

Black.
Screws and nuts electro zinc-plated.

Sample order:

nIm 29032-18

Note:

Tube swivel clamps can be seamlessly rotated through 180°. The standard size for round tubes is Ø18 mm or Ø30 mm. Use reducer sleeves 29042 if smaller tubes are to be clamped or a conversion from round to square tubes is required.

On request:

Plastic levers for locking.

Accessories:

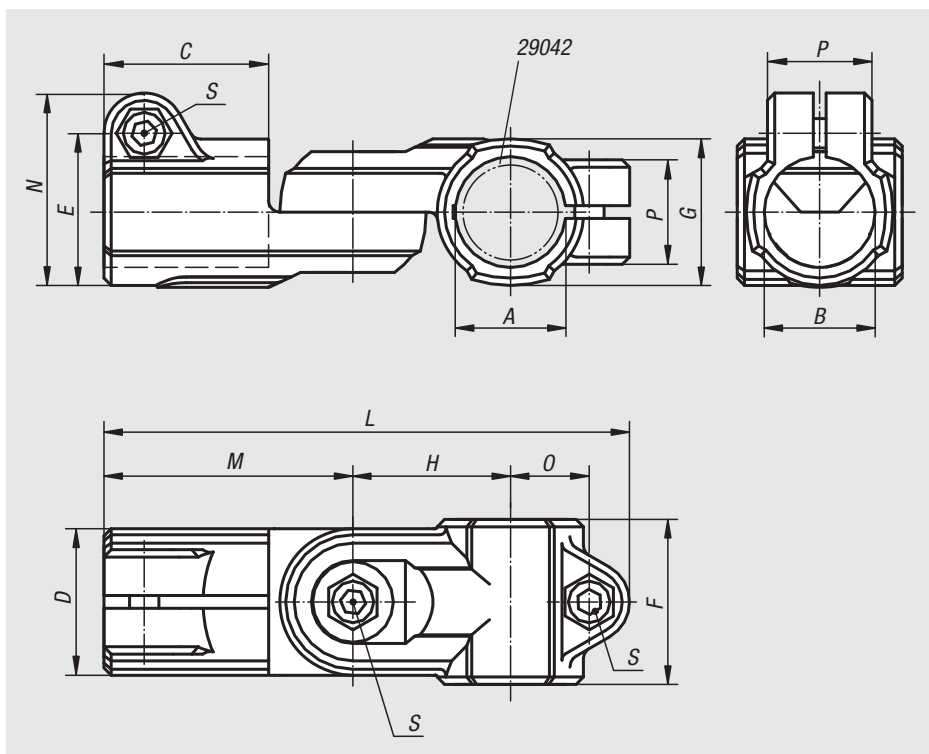
- Reducer sleeves 29042
- Round and square tubes 29050

Attention:

Tightening torque for clamping screws:

M6: 10 Nm

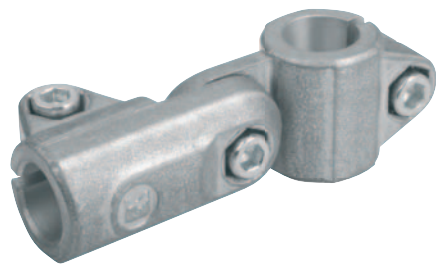
M8: 25 Nm



Order No.	A	B	C	D	E	F	G	H	L	M	N	O	P	S
29032-18	18	18	30	25	26,5	30	25	27,5	94	45	34	14	21	M6x18
29032-30	30	30	45	40	41,5	45	40	43	143,5	68	52,5	22,5	28,5	M8x25

Tube clamps

swivel, aluminium



Material:

Cast aluminium.

Socket head screw according to DIN 7984 and hexagon nut to DIN 985 in steel.

Starting from A = 20.1, hexagon head bolts DIN 931.

Version:

Slip-ground.

Socket head screw, hexagon head bolt, and hexagon nut.

Sample order:

nIm 29032-518

Note:

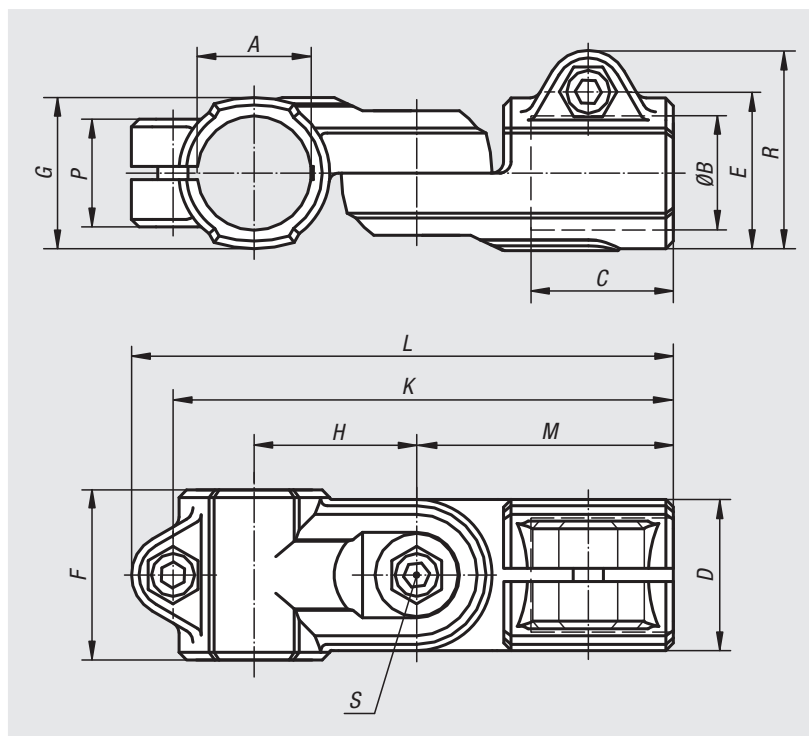
Tube swivel clamps can be seamlessly rotated through 180°.

On request:

Levers for locking and other diameters.

Accessories:

- Round and square tubes 29050



Order No.	A	B	C	D	E	F	G	H	K	L	M	P	R	S
29032-512	12,1	12,1	25	26	29,4	30	26	27	87	95,5	44	21	37,5	M6x18
29032-514	14,1	14,1	25	26	29,4	30	26	27	87	95,5	44	21	37,5	M6x18
29032-516	16,1	16,1	25	26	29,4	30	26	27	87	95,5	44	21	37,5	M6x18
29032-518	18,1	18,1	25	26	29,4	30	26	27	87	95,5	44	21	37,5	M6x18
29032-520	20,1	20,1	45	40	42	40	40	43	138	147	73	33	52	M8x35
29032-525	25,1	25,1	45	40	42	40	40	43	138	147	73	33	52	M8x35
29032-530	30,1	30,1	45	40	42	40	40	43	138	147	73	33	52	M8x35
29032-540	40,2	40,2	60	56	57	56	56	60	188	200	100	48	69	M10x50