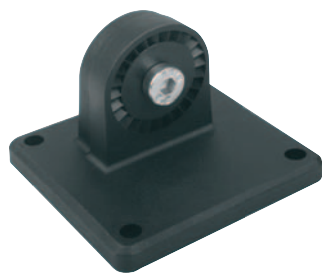


Tube clamps

swivel base, sunken teeth, plastic



Material:

Thermoplastic.
DIN 7984 screws and DIN 985 nuts steel.

Version:

Black.
Screws and nuts electro zinc-plated.

Sample order:

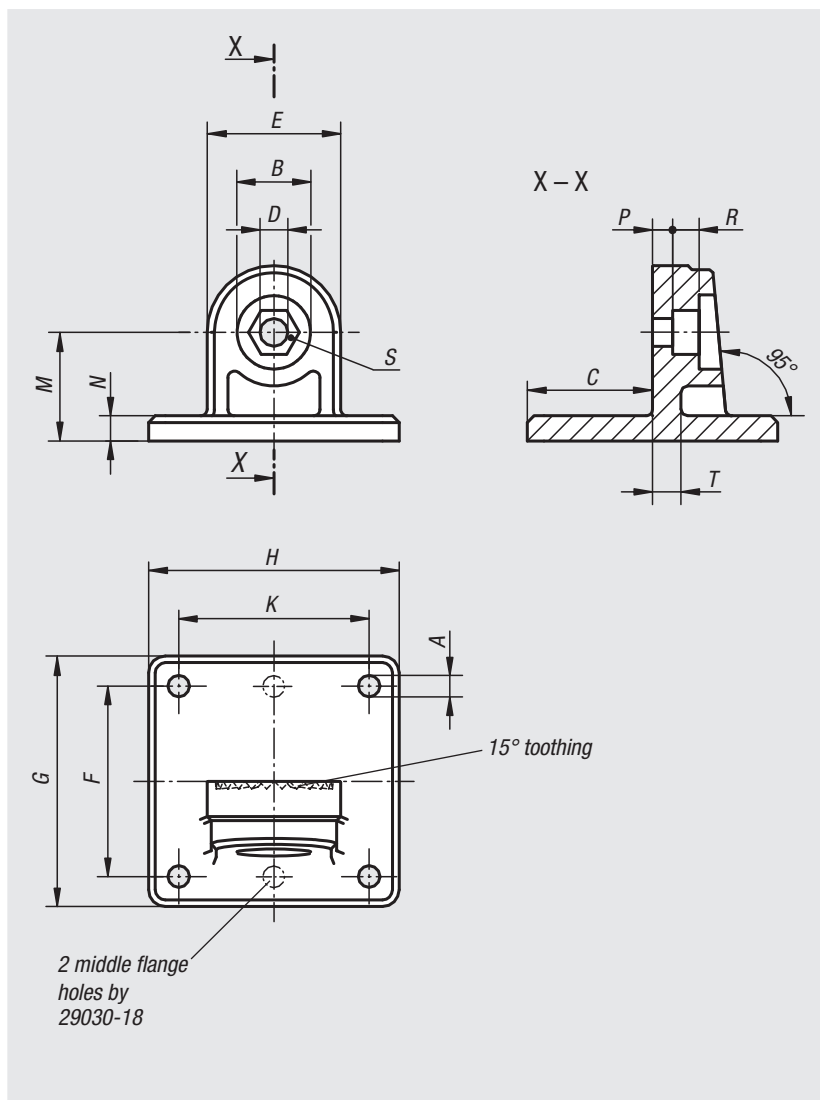
nlm 29030-18

Note:

Swivel clamp bases can be combined with swivel half clamps with raised teeth (29026) to make a complete swivel clamp.

On request:

Plastic levers for locking.



Order No.	A	B	C	D	E	F	G	H	K	M	N	P	R	S	T
29030-18	5,3 (2x)	15	25	6,1	25	40	50	35	-	20	5	4,5	5,5	M6-DIN 985	5
29030-30	6,5 (4x)	22	37,5	8,1	40	60	75	75	60	32,5	7,5	6,6	8,2	M8-DIN 985	7