

Tube clamps

swivel half, raised teeth, plastic



Material:

Thermoplastic.
DIN 7984 screws and DIN 985 nuts steel.

Version:

Black.
Screws and nuts electro zinc-plated.

Sample order:

nIm 29026-18

Note:

Swivel half clamps with raised teeth can be combined with swivel half clamps with sunken teeth (29024, 29028 or 29030) to make a complete swivel clamp.

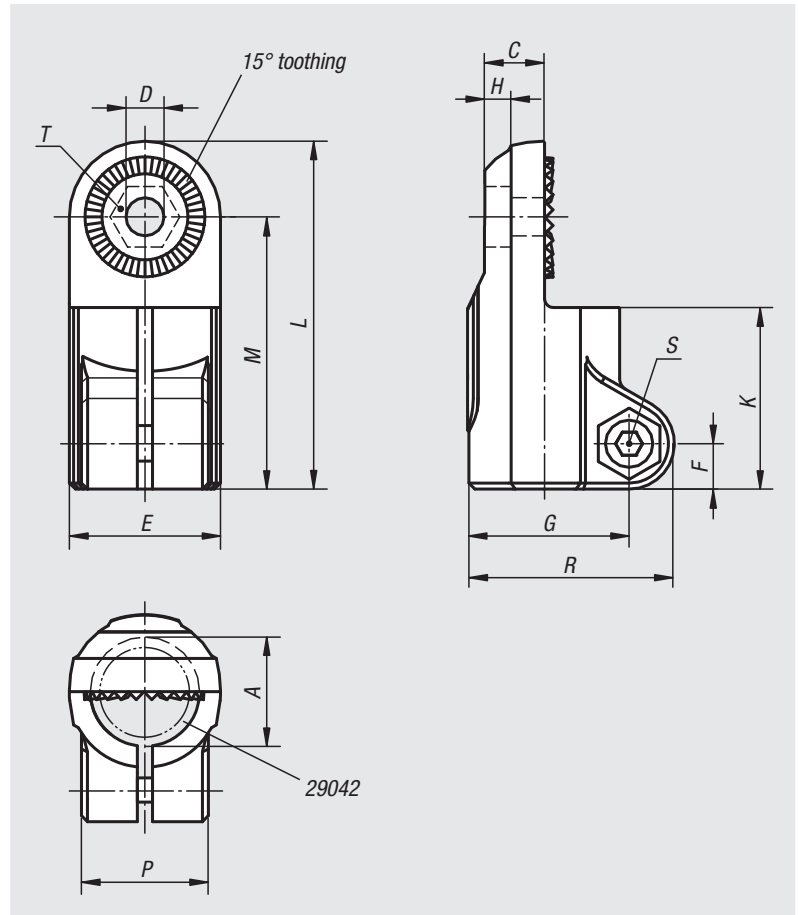
The standard size for round tubes is $\varnothing 18$ mm or $\varnothing 30$ mm. Use reducer sleeves 29042 if smaller tubes are to be clamped or a conversion from round to square tubes is required.

On request:

Plastic levers for locking.

Accessories:

- Reducer sleeves 29042
- Round and square tubes 29050



Order No.	A	C	D	E	F	G	H	K	L	M	P	R	S	T
29026-18	18	9,9	6,1	25	7,5	26,5	5,9	30	57,5	45	21	34	M6x18	M6-DIN 985
29026-30	30	16,5	8,1	40	11	41,5	6,5	45	88	68	28,5	52,5	M8x25	M8-DIN 985