

Tube clamps

straight, plastic



Material:

Thermoplastic.
DIN 7984 screws and DIN 985 nuts steel.

Version:

Black.
Screws and nuts electro zinc-plated.

Sample order:

nln 29022-18

Note:

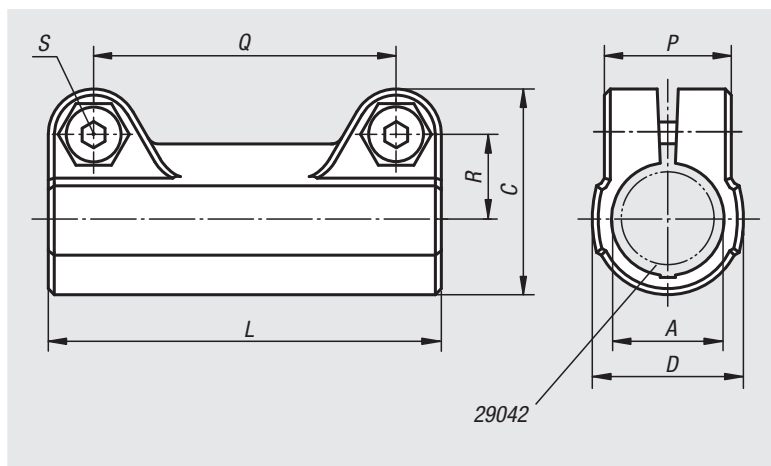
The standard size for round tubes is $\varnothing 18$ mm or $\varnothing 30$ mm. Use reducer sleeves 29042 if smaller tubes are to be clamped or a conversion from round to square tubes is required.

On request:

Plastic levers for locking.

Accessories:

- Reducer sleeves 29042
- Round and square tubes 29050



Order No.	A	C	D	L	P	Q	R	S
29022-18	18	34	25	65	21	50	14	M6x18
29022-30	30	52,5	40	95	28,5	73	22,8	M8x25