

Tube clamps

flange, plastic



Material:

Thermoplastic.
DIN 7984 screws and DIN 985 nuts steel.

Version:

Black.
Screws and nuts electro zinc-plated.

Sample order:

nIm 29016-30

Note:

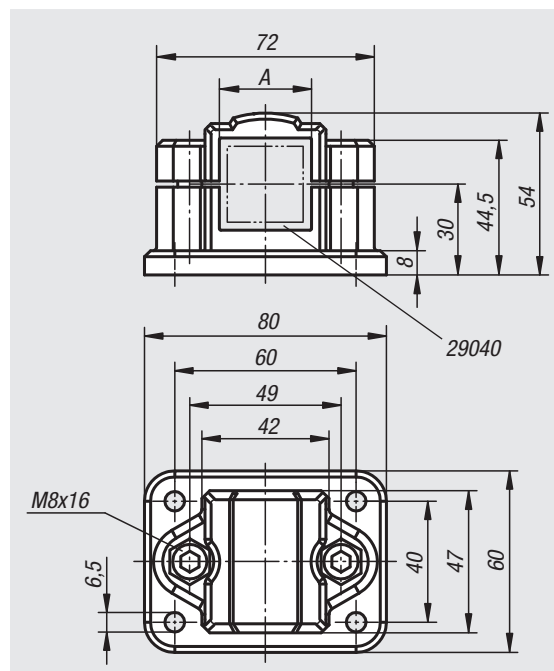
These flange clamps are for 30 mm square tubes. Use reducer sleeves 29040 if smaller tubes are to be clamped or a conversion from square to round tubes is required.

On request:

Plastic levers for locking.

Accessories:

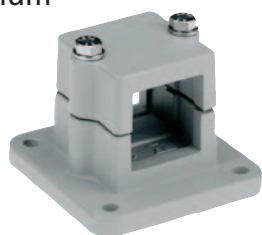
- Reducer sleeves 29040
- Round and square tubes 29050



Order No.	A
29016-30	30

Tube clamps

flange, aluminium



Material:

Cast aluminium.
Screws and nuts steel.

Version:

Vibratory ground.
Screws and nuts electro zinc-plated.

Sample order:

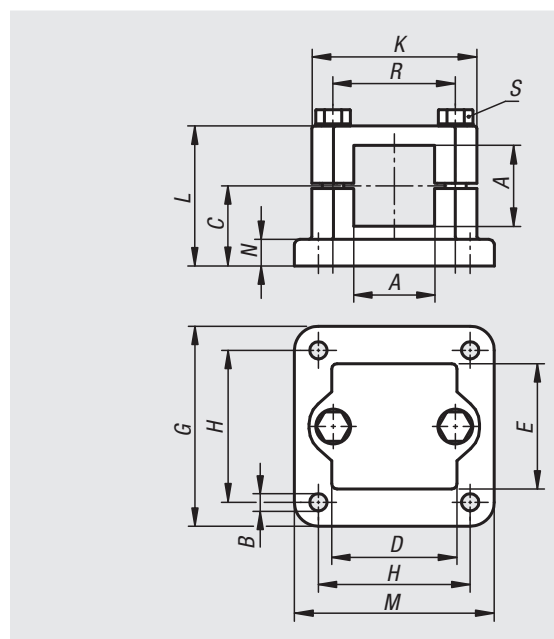
nIm 29016-5230

On request:

Levers for locking and other sizes for square tube.

Accessories:

- Round and square tubes 29050



Order No.	A	B	C	D	E	G	H	K	L	M	N	R	S
29016-5225	25,3	7	30	45	45	75	57	62	52,5	75	10	46	M8x50
29016-5230	30,3	7	30	45	45	75	57	62	52,5	75	10	46	M8x50
29016-5240	40,4	9	40	60	60	100	76	75	70	100	10	57	M8x70