

# Tube clamps

flange, plastic



**Material:**

Thermoplastic.  
DIN 7984 screws and DIN 985 nuts steel.

**Version:**

Black.  
Screws and nuts electro zinc-plated.

**Sample order:**

nIm 29014-18

**Note:**

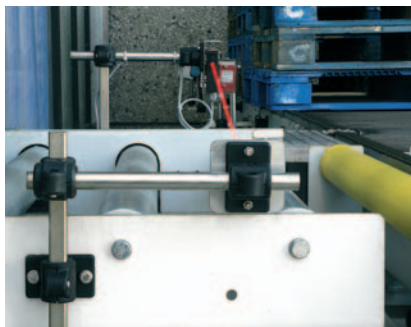
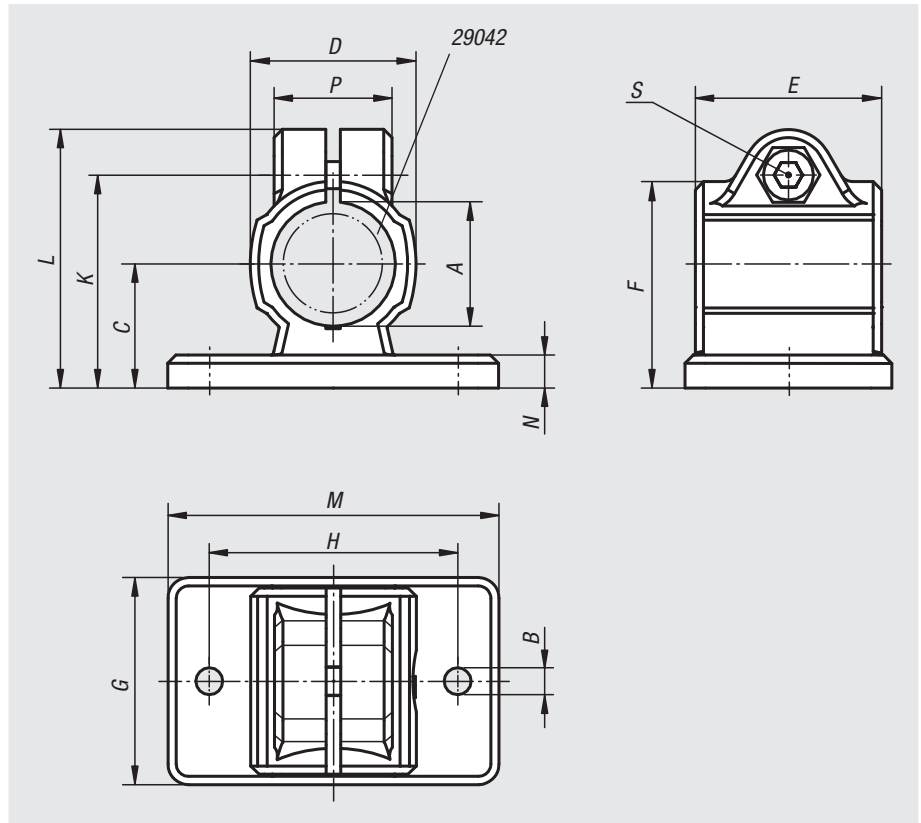
The standard size for round tubes is  $\varnothing 18$  mm or  $\varnothing 30$  mm. Use reducer sleeves 29042 if smaller tubes are to be clamped or a conversion from round to square tubes is required.

**On request:**

Plastic levers for locking.

**Accessories:**

- Reducer sleeves 29042
- Round and square tubes 29050



Order No.	A	B	C	D	E	F	G	H	K	L	M	N	P	S
29014-18	18	5,3	18	25	30	30,5	35	40	32	39,5	50	5	21	M6x18
29014-30	30	6,5	30	40	45	50	50	60	51,5	62,5	80	8	28,5	M8x25

# Tube clamps

flange, aluminium


**Material:**

Cast aluminium.  
DIN 7984 screws and DIN 985 nuts, steel.

**Version:**

Vibratory ground.  
Screws and nuts electro zinc-plated.

**Sample order:**

nIm 29014-518

**Note:**

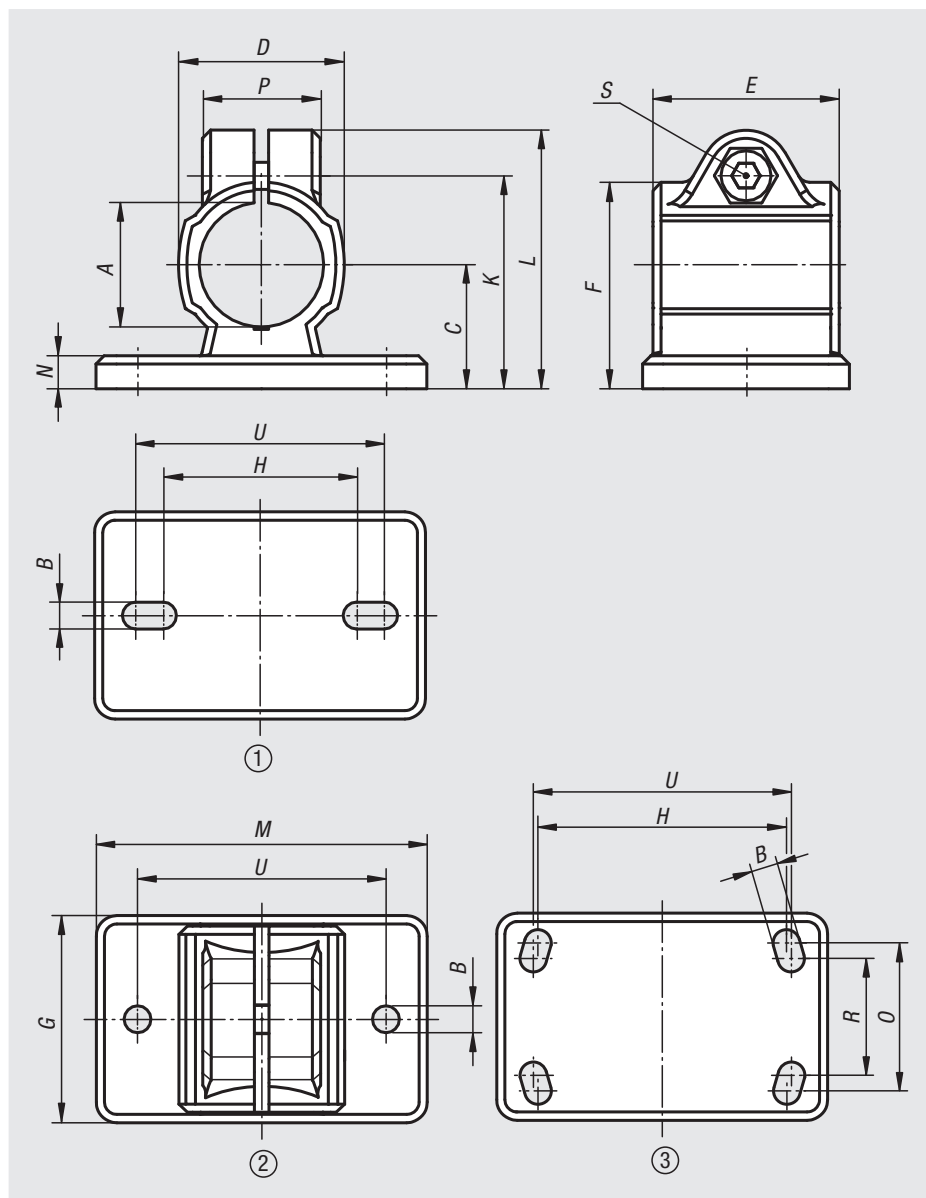
\* Elongated hole

**On request:**

Levers for locking and other diameters.

**Accessories:**

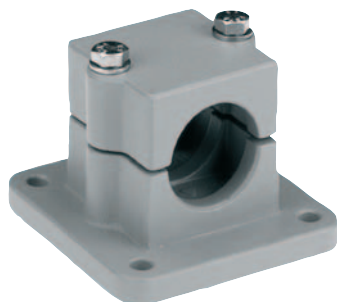
- Round and square tubes 29050



Order No.	hole arrangement	A	B	C	D	E	F	G	H	K	L	M	N	O	P	R	S	U
29014-512	1	12,1	5,5* (2x)	18	25	35	31	35	38	32,5	41	50	5	-	23	-	M6x20	40
29014-514	2	14,1	5,5 (2x)	18	25	35	31	35	-	32,5	41	50	5	-	23	-	M6x20	40
29014-515	2	15,1	5,5 (2x)	18	25	35	31	35	-	32,5	41	50	5	-	23	-	M6x20	40
29014-516	1	16,1	5,5* (2x)	18	25	35	31	35	38	32,5	41	50	5	-	23	-	M6x20	40
29014-518	2	18,1	5,5 (2x)	18	25	35	31	35	-	32,5	41	50	5	-	23	-	M6x20	40
29014-520	1	20,1	6,5* (2x)	30	40	40	50	55	53	53	63	78	7	-	33	-	M8x25	60
29014-525	1	25,1	6,5* (2x)	30	40	40	50	55	53	53	63	78	7	-	33	-	M8x25	60
29014-530	1	30,1	6,5* (2x)	30	40	40	50	55	53	53	63	78	7	-	33	-	M8x25	60
29014-540	3	40,17	8,5* (4x)	42	56	60	70	80	80	74	87	105	10	60	40	52	M10x30	82
29014-550	3	50,22	10,5* (4x)	50	66	65	83	90	98	85	98	128	14	62	45	60	M10x35	100

# Tube clamps

flange, aluminium



### Material:

Cast aluminium.  
Screws and nuts steel.

### Version:

Vibratory ground.  
Screws and nuts electro zinc-plated.

### Sample order:

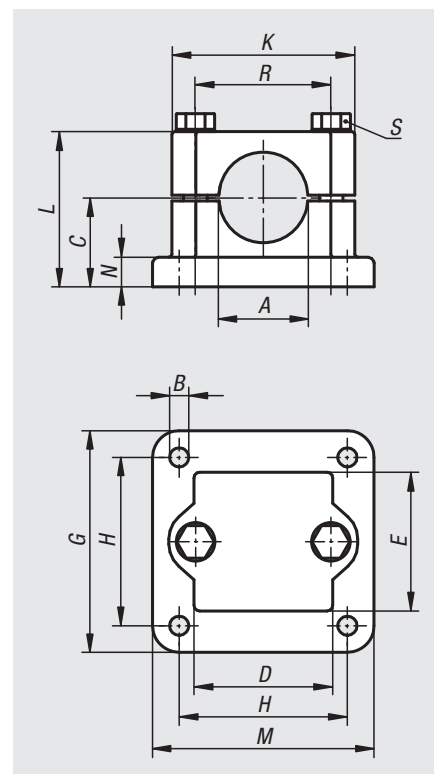
nln 29014-5230

### On request:

Levers for locking and other diameters.

### Accessories:

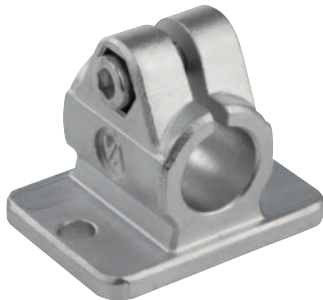
- Round and square tubes 29050



Order No.	A	B	C	D	E	G	H	K	L	M	N	R	S
29014-5220	20,2	7	30	45	45	75	57	62	52,5	75	10	46	M8x50
29014-5225	25,2	7	30	45	45	75	57	62	52,5	75	10	46	M8x50
29014-5230	30,2	7	30	45	45	75	57	62	52,5	75	10	46	M8x50
29014-5240	40,2	9	40	60	60	100	76	75	70	100	10	57	M8x70

# Tube clamps

flange, stainless steel


**Material:**

Investment cast 1.4308 stainless steel.  
ISO 4762 cap screw and ISO 4032 hex nut, stainless steel.  
From  $\varnothing 30$  mm ISO 4017 hex head bolt, stainless steel.

**Version:**

Electropolished.

**Sample order:**

nIm 29014-112

**Note:**

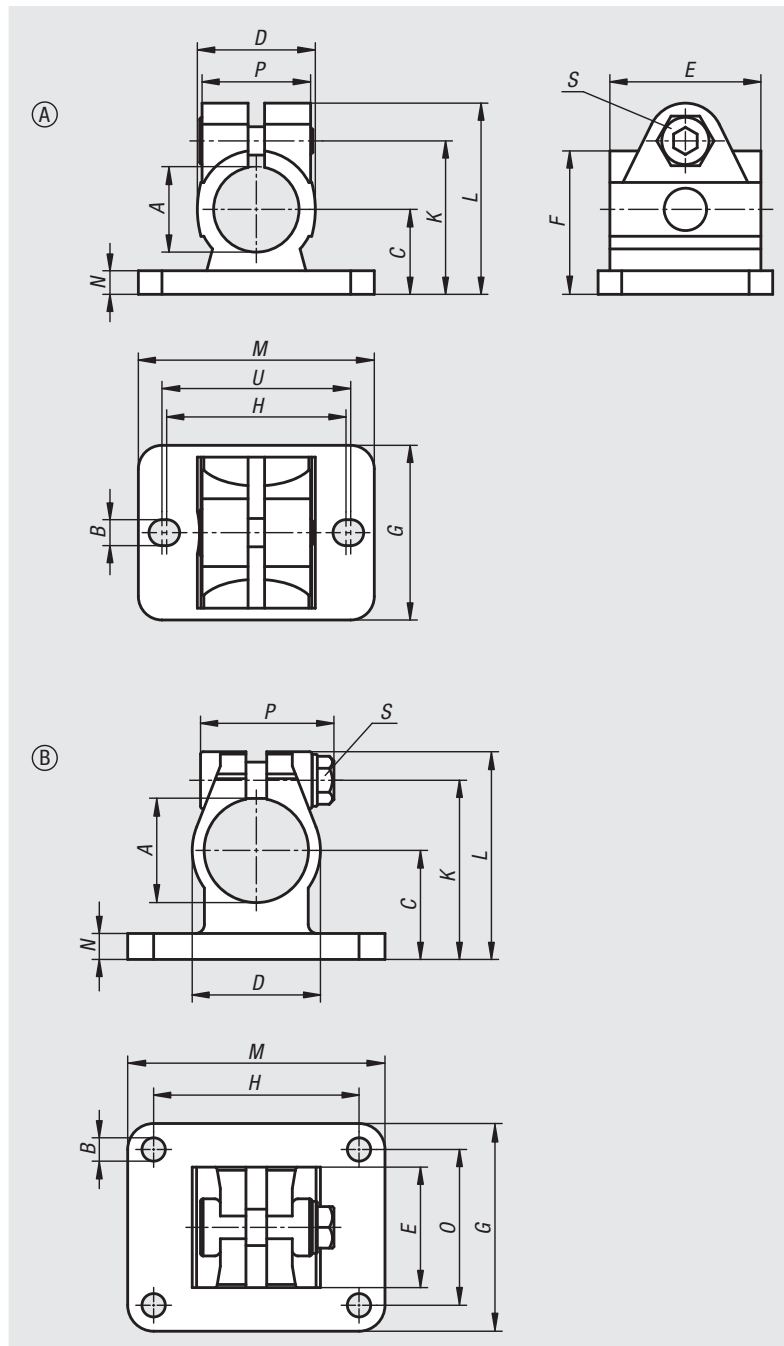
The tube clamps with diameters 30 and 40 mm have a silicone sleeve that protects the thread of the hex head screw from contamination and damage.

**On request:**

Clamping levers for tightening.

**Accessories:**

- Round and square tubes 29050



Order No.	Form	A	B	C	D	E	F	G	H	K	L	M	N	O	P	S	U
29014-112	A	12,1	5,5	18	25	32	30,4	37	38	32,5	40,5	50	5	-	23	M6x18	40
29014-114	A	14,1	5,5	18	25	32	30,4	37	38	32,5	40,5	50	5	-	23	M6x18	40
29014-116	A	16,1	5,5	18	25	32	30,4	37	38	32,5	40,5	50	5	-	23	M6x18	40
29014-118	A	18,1	5,5	18	25	32	30,4	37	38	32,5	40,5	50	5	-	23	M6x18	40
29014-120	A	20,1	5,5	18	25	32	30,4	37	38	32,5	40,5	50	5	-	23	M6x18	40
29014-130	B	30,1	7	30	37,4	32,4	-	55	60	50	59,2	78	7	40	45,5	M8x30	-
29014-140	B	40,17	9	42	49,4	46,4	-	80	60	69	80	80	10	60	52	M10x35	-