

## Tube clamps

base, plastic



**Material:**  
Thermoplastic.  
DIN 7984 screws and DIN 985 nuts steel.

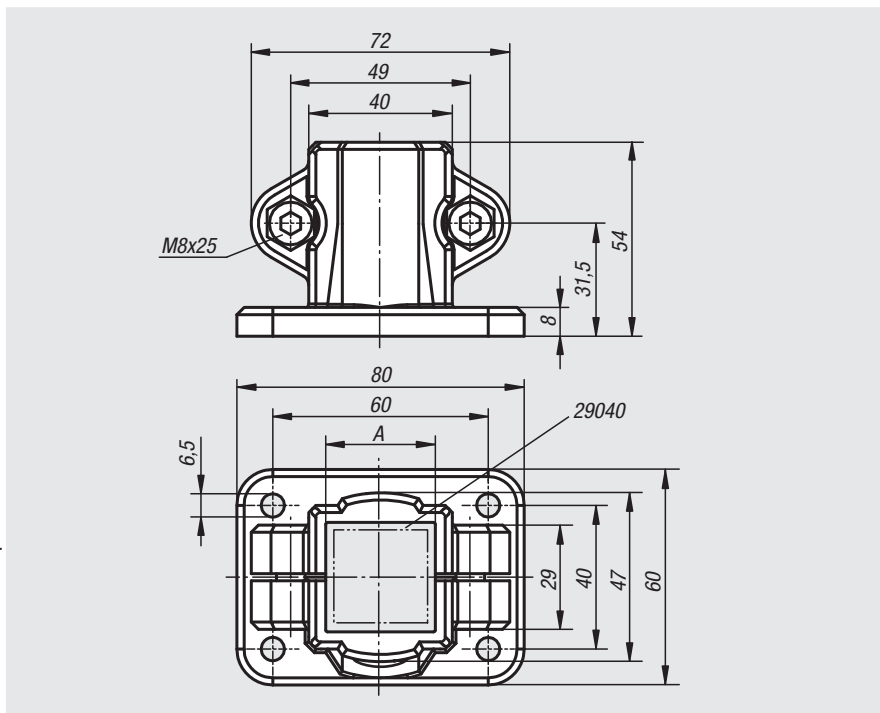
**Version:**  
Black.  
Screws and nuts electro zinc-plated.

**Sample order:**  
nlm 29012-30

**Note:**  
These base clamps are for 30 mm square tubes. Use reducer sleeves 29040 if smaller tubes are to be clamped or a conversion from square to round tubes is required.

**On request:**  
Plastic levers for locking.

**Accessories:**  
- Reducer sleeves 29040  
- Round and square tubes 29050

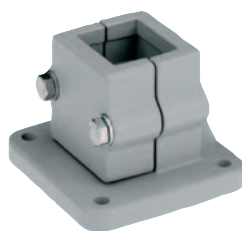


Order No. A

29012-30 30

## Tube clamps

base, aluminium



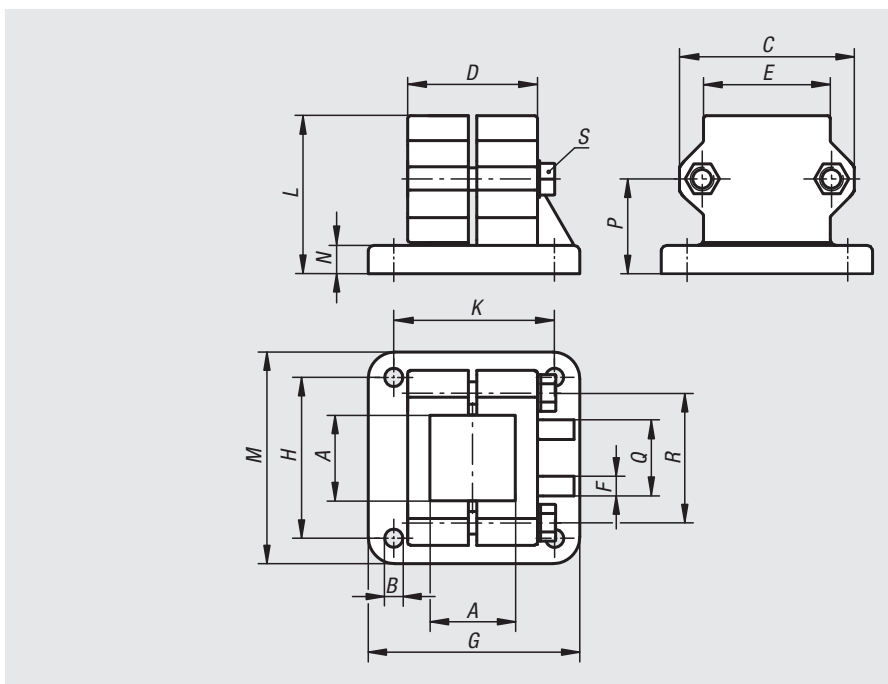
**Material:**  
Cast aluminium.  
Screws and nuts steel.

**Version:**  
Vibratory ground.  
Screws and nuts electro zinc-plated.

**Sample order:**  
nlm 29012-5230

**On request:**  
Levers for locking and other sizes for square tube.

**Accessories:**  
- Round and square tubes 29050



Order No. A B C D E F G H K L M N P Q R S

29012-5230 30,3 7 62 45 45 5 75 57 57 56 75 10 33,5 25 46 M8x45

29012-5240 40,4 9 75 60 60 5 100 76 76 73 100 12 43 32 57 M8x60