

Tube clamps

base, plastic



Material:

Thermoplastic.
DIN 7984 screws and DIN 985 nuts steel.

Version:

Black.
Screws and nuts electro zinc-plated.

Sample order:

nIm 29010-18

Note:

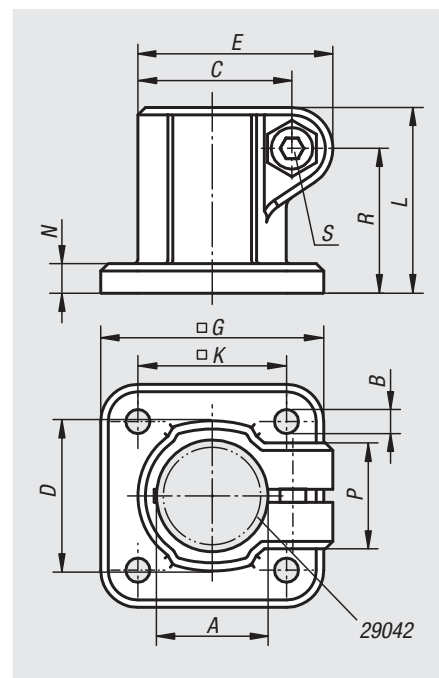
The standard size for round tubes is Ø18 mm or Ø30 mm. Use reducer sleeves 29042 if smaller tubes are to be clamped or a conversion from round to square tubes is required.

On request:

Plastic levers for locking.

Accessories:

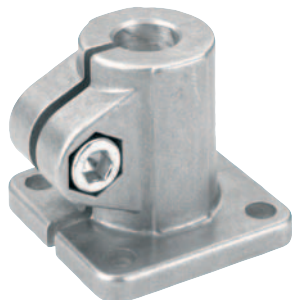
- Reducer sleeves 29042
- Round and square tubes 29050



Order No.	A	B	C	D	E	G	K	L	N	P	R	S
29010-18	18	5,3	26,5	26	34	45	30	32	5	21	24,5	M6x18
29010-30	30	6,5	41,5	42	52,5	60	40	50	8	28,5	39	M8x25

Tube clamps

base, aluminium



Material:

Cast aluminium.
DIN 7984 screws and DIN 985 nuts, steel.

Version:

Vibratory ground.
Screws and nuts electro zinc-plated.

Sample order:

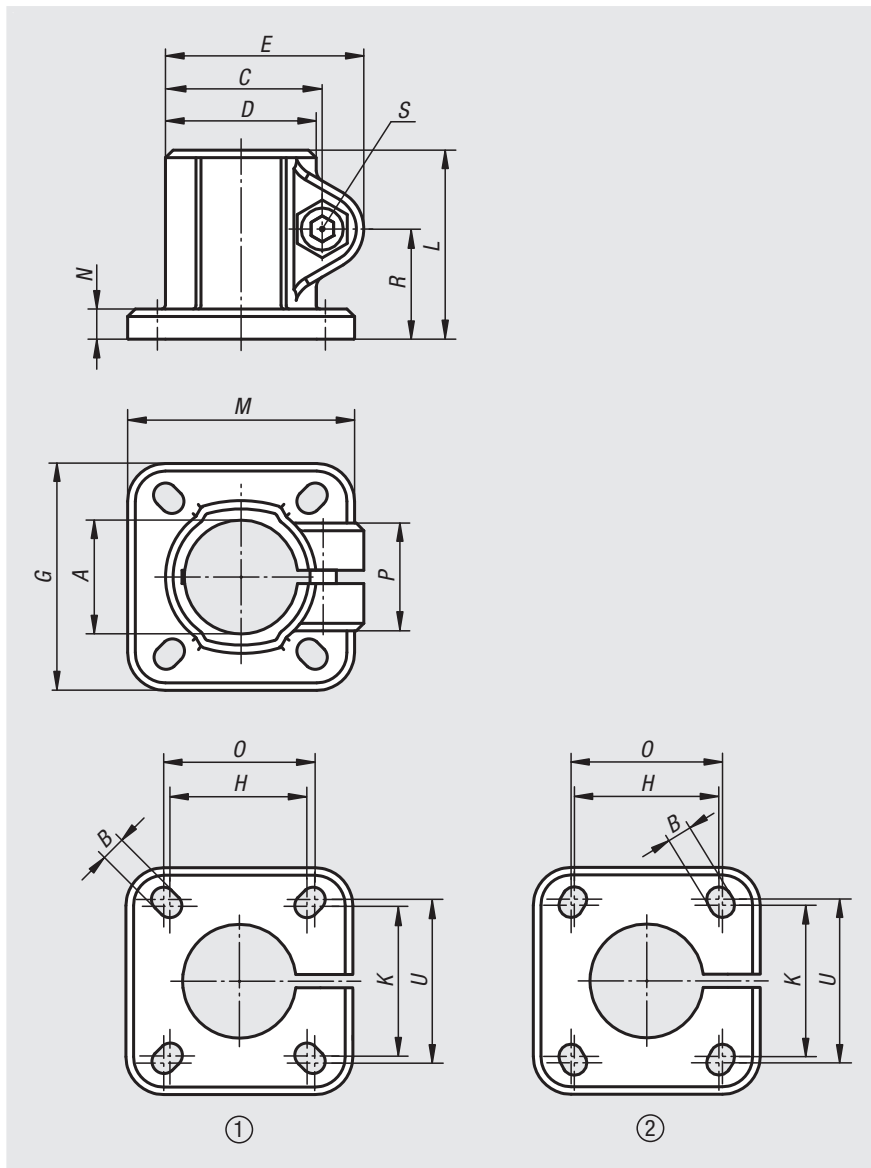
n1m 29010-518

On request:

Levers for locking and other diameters.

Accessories:

- Round and square tubes 29050



Order No.	hole arrangement	A	B	C	D	E	G	H	K	L	M	N	O	P	R	S	U
29010-512	1	12,1	6	27	25	35,5	42	28	28	37	42	5	30	23	21	M6x20	30
29010-514	1	14,1	6	27	25	35,5	42	28	28	37	42	5	30	23	21	M6x20	30
29010-515	1	15,1	6	27	25	35,5	42	28	28	37	42	5	30	23	21	M6x20	30
29010-516	1	16,1	6	27	25	35,5	42	28	28	37	42	5	30	23	21	M6x20	30
29010-518	1	18,1	6	27	25	35,5	42	28	28	37	42	5	30	23	21	M6x20	30
29010-520	2	20,1	7	42,5	40	53	60	40	42	50	60	8	42	33	29	M8x25	45
29010-525	2	25,1	7	42,5	40	53	60	40	42	50	60	8	42	33	29	M8x25	45
29010-530	2	30,1	7	42,5	40	53	60	40	42	50	60	8	42	33	29	M8x25	45
29010-540	1	40,17	9	61	56	74	90	60	60	70	90	10	64	40	40	M10x30	64
29010-550	1	50,22	11	70	66	84	105	74	74	85	105	14	80	45	49,5	M10x35	80

Tube clamps

base, stainless steel



Material:

Investment cast 1.4308 stainless steel.
ISO 4762 cap screw and ISO 4032 hex nut, stainless steel.
From $\varnothing 30$ mm ISO 4017 hex head bolt, stainless steel.

Version:

Electropolished.

Sample order:

nIm 29010-112

Note:

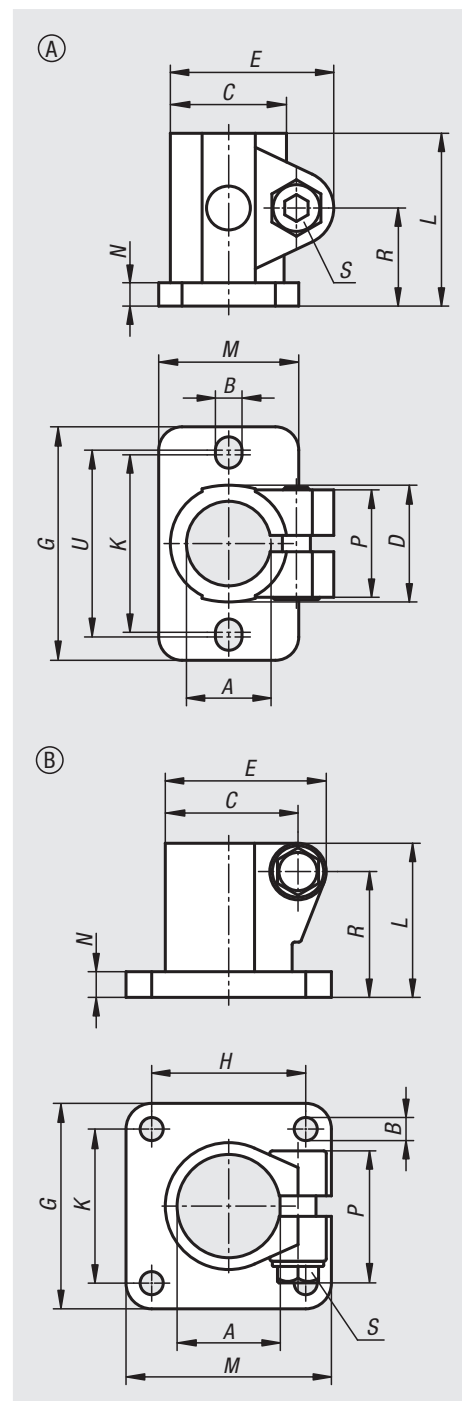
The tube clamps with diameters 30 and 40 mm have a silicone sleeve that protects the thread of the hex head screw from contamination and damage.

On request:

Clamping levers for tightening.

Accessories:

- Round and square tubes 29050



Order No.	Form	A	B	C	D	E	G	H	K	L	M	N	P	R	S	U
29010-112	A	12,1	5,7	27	25	35	50	-	38	37	30	5	23	21	M6x18	40
29010-114	A	14,1	5,7	27	25	35	50	-	38	37	30	5	23	21	M6x18	40
29010-116	A	16,1	5,7	27	25	35	50	-	38	37	30	5	23	21	M6x18	40
29010-118	A	18,1	5,7	27	25	35	50	-	38	37	30	5	23	21	M6x18	40
29010-120	A	20,1	5,7	27	25	35	50	-	38	37	30	5	23	21	M6x18	40
29010-130	B	30,1	7	39	37,4	48	60	40	40	50	60	7	45,5	41	M8x30	-
29010-140	B	40,17	9	51,7	49,4	63	80	60	60	60	80	10	52	48,7	M10x35	-