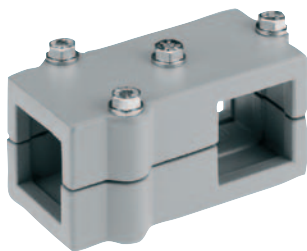


## Tube clamps

T-angle, aluminium



**Material:**

Cast aluminium.  
Screws and nuts steel.

**Version:**

Vibratory ground.  
Screws and nuts electro zinc-plated.

**Sample order:**

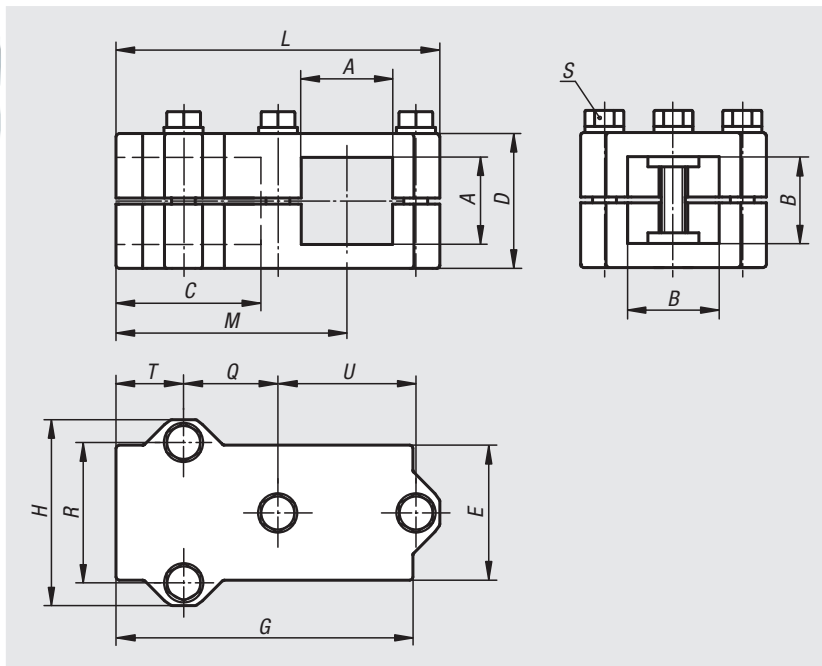
nIm 29008-523030

**On request:**

Levers for locking and other sizes for square tube.

**Accessories:**

- Round and square tubes 29050



Order No.	A	B	C	D	E	G	H	L	M	Q	R	S	T	U
29008-523030	30,3	30,3	46	45	45	100	62	108	77	31,5	46	M8x45	23	46
29008-524040	40,4	40,4	60	60	60	129	75	136	99	40	57	M8x60	30	57

## Tube clamps

right-angle, aluminium



**Material:**

Cast aluminium.  
Screws and nuts steel.

**Version:**

Vibratory ground.  
Screws and nuts electro zinc-plated.

**Sample order:**

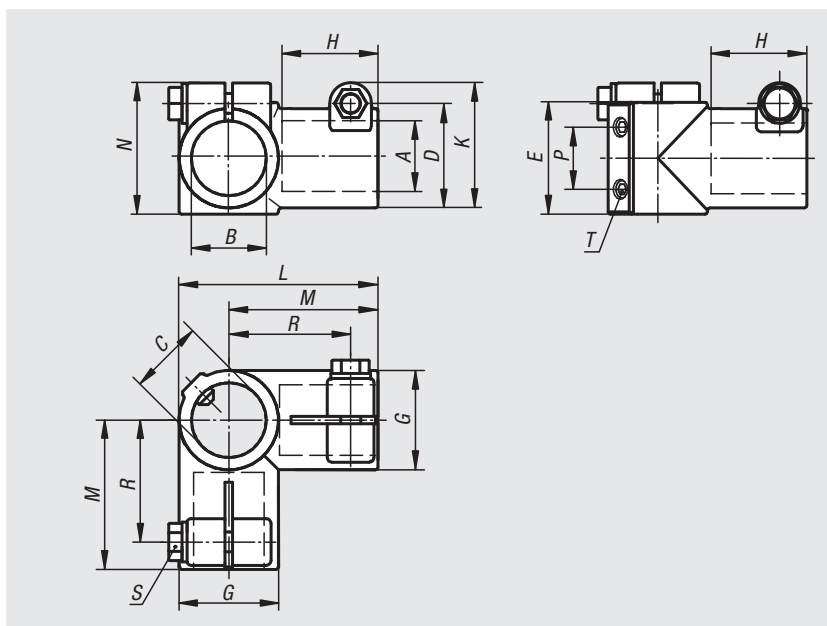
nIm 29008-530

**On request:**

Levers for locking and other diameters.

**Accessories:**

- Round and square tubes 29050



Order No.	A	B	C	D	E	G	H	K	L	M	N	P	R	S	T
29008-530	30,1	30,1	30,1	40	45	40	38	51	80	60	53	25	49	M8x25	M8x15
29008-540	40,15	40,15	40,15	56	60	56	58	71	116	88	73	35	70	M10x30	M8x10
29008-550	50,22	50,22	50,22	66	70	66	70	78	136	108	80	40	90	M10x35	M10x15

# Tube clamps

T-angle, plastic



**Material:**

Thermoplastic.  
DIN 7984 screws and DIN 985 nuts steel.

**Version:**

Black.  
Screws and nuts electro zinc-plated.

**Sample order:**

nIm 29008-3030

**Note:**

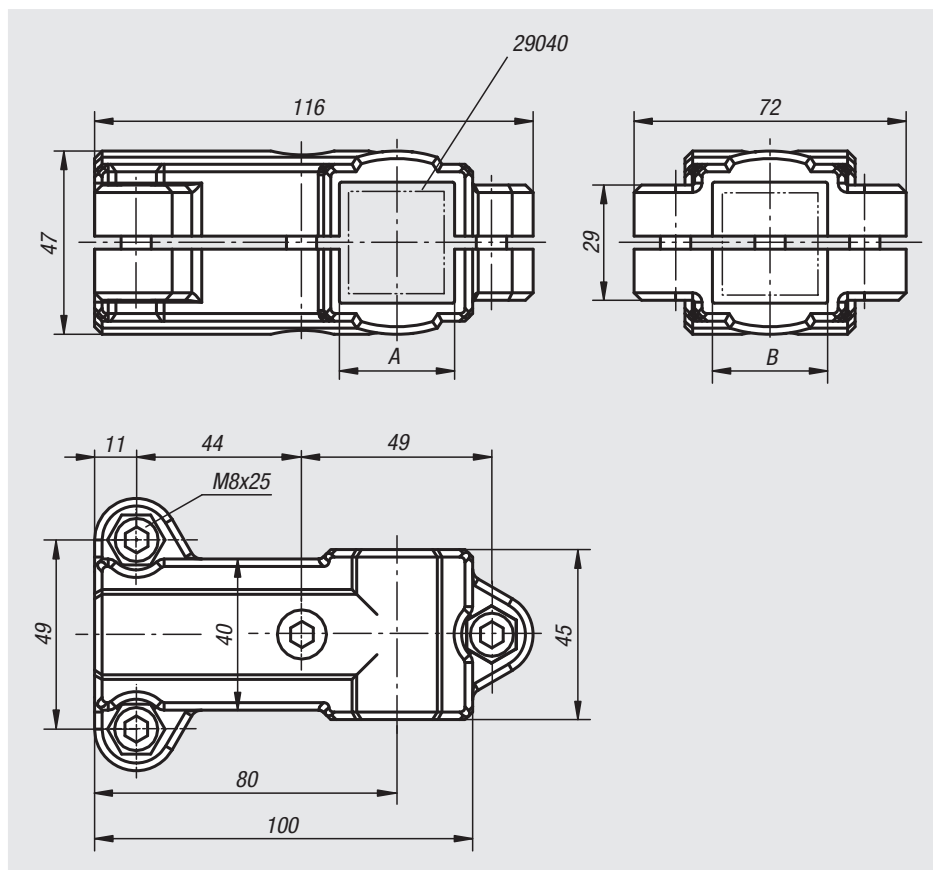
These T-clamps are for 30 mm square tubes. Use reducer sleeves 29040 if smaller tubes are to be clamped or a conversion from square to round tubes is required.

**On request:**

Plastic levers for locking.

**Accessories:**

- Reducer sleeves 29040
- Round and square tubes 29050



Order No.	A	B
29008-3030	30	30

20000 21000 22000 23000 24000 26000 27000 28000 29000 31000 32000 33000