

## Tube clamps

T-angle, plastic



### Material:

Thermoplastic.  
DIN 7984 screws and DIN 985 nuts steel.

### Version:

Black.  
Screws and nuts electro zinc-plated.

### Sample order:

nIm 29006-1818

### Note:

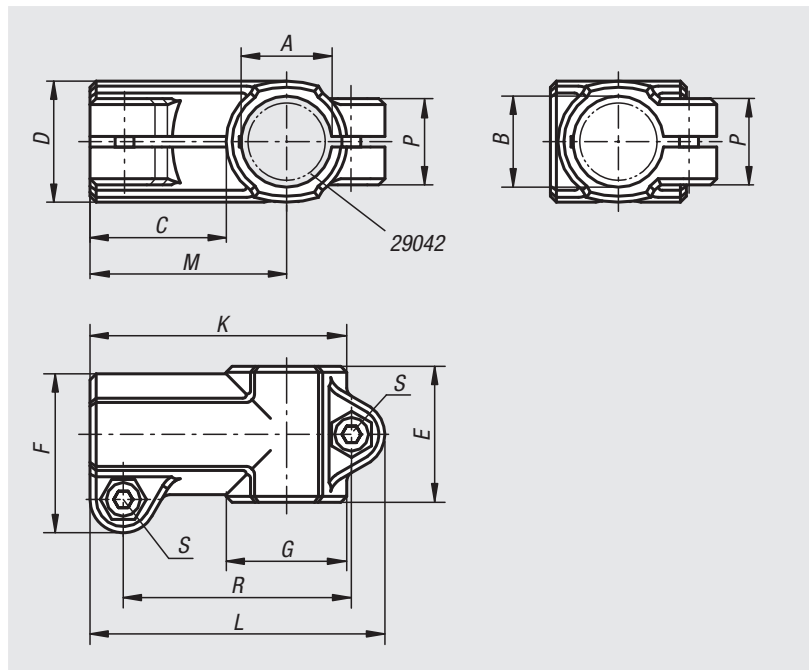
The standard size for round tubes is  $\varnothing 18$  mm or  $\varnothing 30$  mm. Use reducer sleeves 29042 if smaller tubes are to be clamped or a conversion from round to square tubes is required.

### On request:

Plastic levers for locking.

### Accessories:

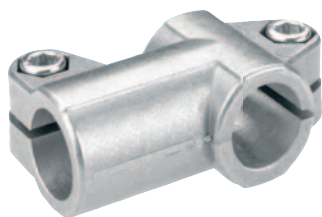
- Reducer sleeves 29042
- Round and square tubes 29050



Order No.	A	B	C	D	E	F	G	K	L	M	P	R	S
29006-1818	18	18	30,5	25	30	34	25	55,5	64,5	43	21	49,5	M6x18
29006-3030	30	30	45	40	45	52,5	40	85	97,5	65	28,5	75,5	M8x25

# Tube clamps

T-angle, aluminium



### Material:

Cast aluminium.  
DIN 7984 screws and DIN 985 nuts, steel.

### Version:

Vibratory ground.  
Screws and nuts electro zinc-plated.

### Sample order:

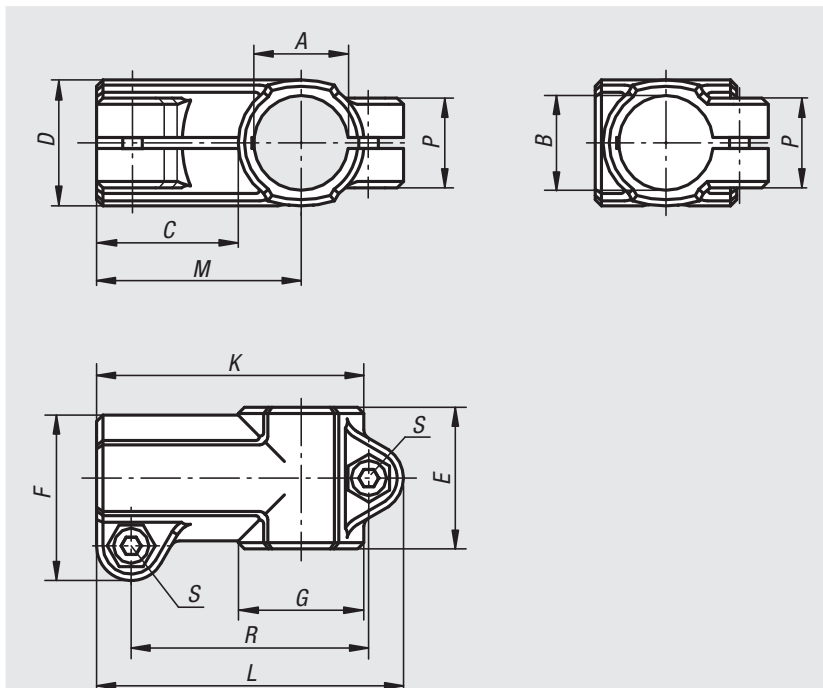
nIm 29006-51818

### On request:

Levers for locking and other diameters.

### Accessories:

- Round and square tubes 29050



Order No.	A	B	C	D	E	F	G	K	L	M	P	R	S
29006-51212	12,1	12,1	28	25	32	35,5	25	56	66	43	23	49	M6x20
29006-51414	14,1	14,1	28	25	32	35,5	25	56	66	43	23	49	M6x20
29006-51515	15,1	15,1	28	25	32	35,5	25	56	66	43	23	49	M6x20
29006-51616	16,1	16,1	28	25	32	35,5	25	56	66	43	23	49	M6x20
29006-51818	18,1	18,1	28	25	32	35,5	25	56	66	43	23	49	M6x20
29006-52020	20,1	20,1	38	40	45	53	40	80	93	60	33	72,5	M8x25
29006-52525	25,1	25,1	38	40	45	53	40	80	93	60	33	72,5	M8x25
29006-53030	30,1	30,1	38	40	45	53	40	80	93	60	33	72,5	M8x25
29006-54040	40,15	40,15	55	56	60	74	56	116	134	88	40	108	M10x30
29006-55050	50,22	50,22	63	66	66	84	66	131	149	98	45	123	M10x35

# Tube clamps

T-angle, stainless steel



### Material:

Investment cast 1.4308 stainless steel.  
ISO 4762 cap screw and ISO 4032 hex nut, stainless steel.  
From  $\varnothing 30$  mm ISO 4017 hex head bolt, stainless steel.

### Version:

Electropolished.

### Sample order:

nIm 29006-11212

### Note:

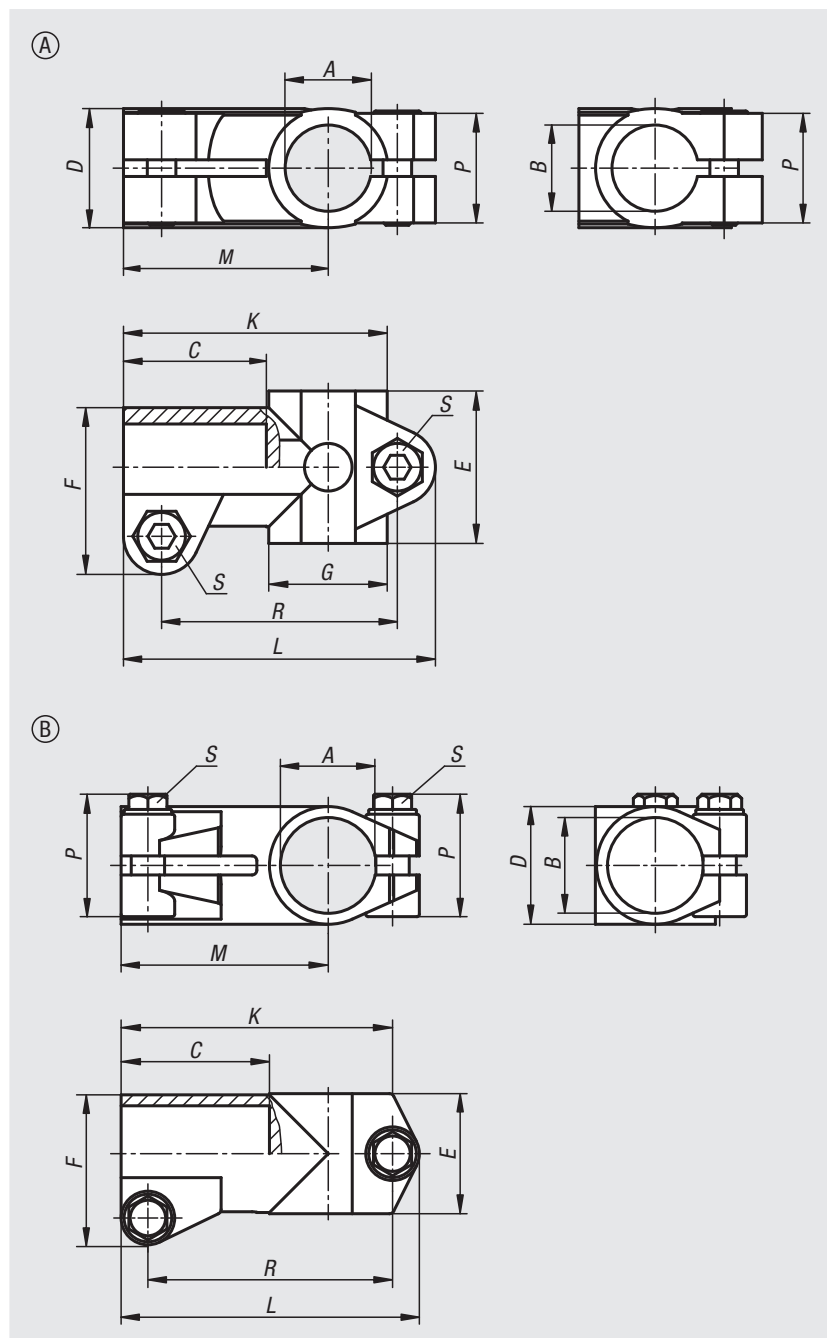
The tube clamps with diameters 30 and 40 mm have a silicone sleeve that protects the thread of the hex head screw from contamination and damage.

### On request:

Clamping levers for tightening.

### Accessories:

- Round and square tubes 29050



Order No.	Form	A	B	C	D	E	F	G	K	L	M	P	R	S
29006-11212	A	12,1	12,1	30,5	25	32	35	25	55,5	65,5	43	23	49,5	M6x18
29006-11414	A	14,1	14,1	30,5	25	32	35	25	55,5	65,5	43	23	49,5	M6x18
29006-11616	A	16,1	16,1	30,5	25	32	35	25	55,5	65,5	43	23	49,5	M6x18
29006-11818	A	18,1	18,1	30,5	25	32	35	25	55,5	65,5	43	23	49,5	M6x18
29006-12020	A	20,1	20,1	30,5	25	32	35	25	55,5	65,5	43	23	49,5	M6x18
29006-13030	B	30,1	30,1	40	38,4	38	48	-	78	87	58	45,5	69	M8x30
29006-14040	B	40,17	40,17	60	50,4	50	63	-	112	124,9	87	52	102,5	M10x35