

# Tube clamps

cross, plastic



**Material:**  
Thermoplastic.  
DIN 7984 screws and DIN 985 nuts steel.

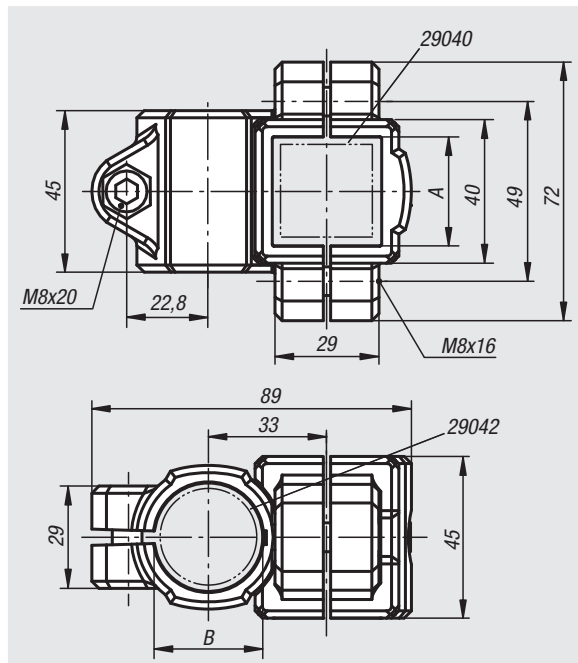
**Version:**  
Black.  
Screws and nuts electro zinc-plated.

**Sample order:**  
nlm 29004-3030

**Note:**  
These cross clamps are for 30 mm square and round tubes. Use reducer sleeves 29040 or 29042 if smaller tubes are to be clamped or a conversion from round to square tubes is required.

**On request:**  
Plastic levers for locking.

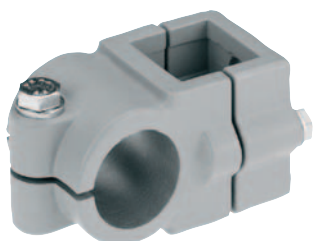
**Accessories:**  
- Reducer sleeves 29040 and 29042  
- Round and square tubes 29050



Order No.	A	B
29004-3030	30	30

# Tube clamps

cross, aluminium



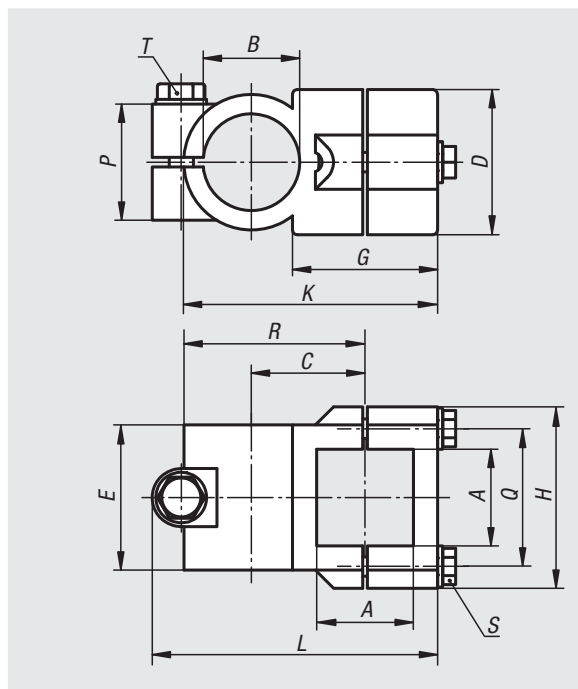
**Material:**  
Cast aluminium.  
Screws and nuts steel.

**Version:**  
Vibratory ground.  
Screws and nuts electro zinc-plated.

**Sample order:**  
nlm 29004-53030

**On request:**  
Clamping levers for fastening and other diameters.

**Accessories:**  
- Round and square tubes 29050



Order No.	A	B	C	D	E	G	H	K	L	P	Q	R	S	T
29004-53030	30,2	30,1	33	45	45	40	62	76	86	33	46	55	M8x35	M8x35
29004-54040	40,3	40,2	47	60	60	60	75	105	117	48	57	75	M8x45	M10x50