

Tube clamps

cross, plastic



Material:
Thermoplastic.
DIN 7984 screws and DIN 985 nuts steel.

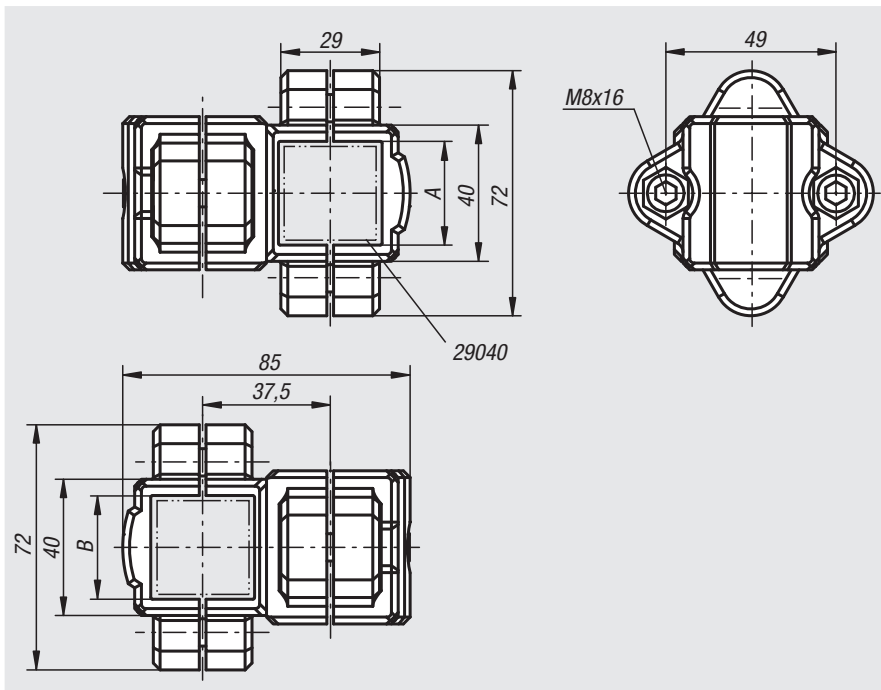
Version:
Black.
Screws and nuts electro zinc-plated.

Sample order:
nlm 29002-3030

Note:
These cross clamps are for 30 mm square tubes.
Use reducer sleeves 29040 if smaller tubes are to be clamped or a conversion from square to round tubes is required.

On request:
Plastic levers for locking.

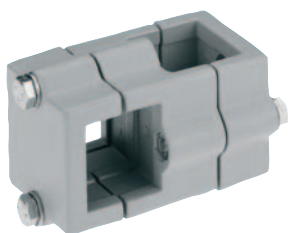
Accessories:
- Reducer sleeves 29040
- Round and square tubes 29050



Order No.	A	B
29002-3030	30	30

Tube clamps

cross, aluminium



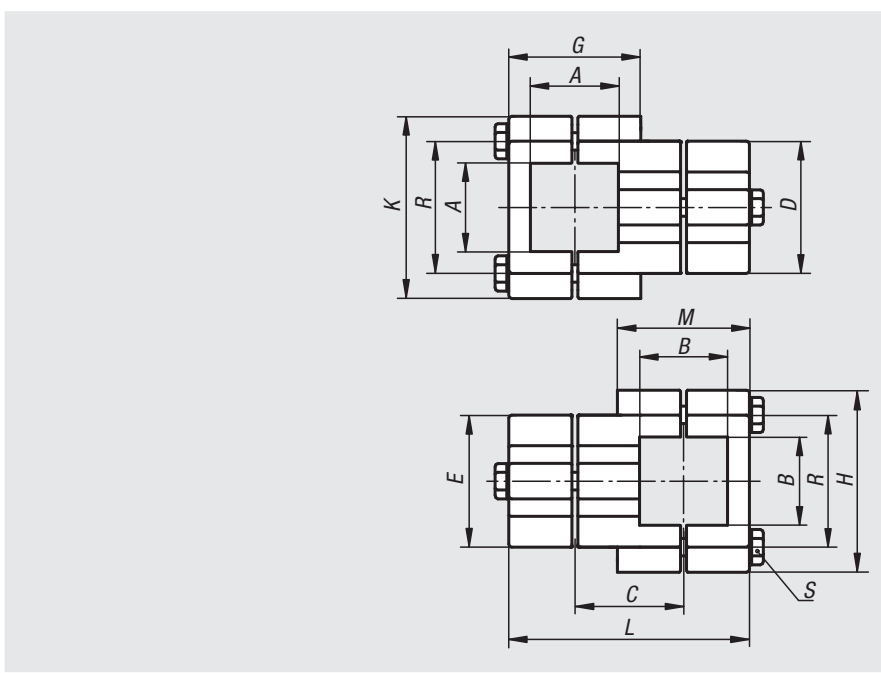
Material:
Cast aluminium.
Screws and nuts steel.

Version:
Vibratory ground.
Screws and nuts electro zinc-plated.

Sample order:
nlm 29002-523030

On request:
Levers for locking and other sizes for square tube.

Accessories:
- Round and square tubes 29050



Order No.	A	B	C	D	E	G	H	K	L	M	R	S
29002-523030	30,2	30,2	38	45	45	44	64	64	83	44	46	M8x45
29002-524040	40,3	40,3	50	60	60	61	75	75	111	61	57	M8x60