

29000
Page 991



Tube clamps
cross, plastic

29000
Page 991



Tube clamps
cross, aluminium

29000
Page 992



Tube clamps
cross, aluminium

29000
Page 993



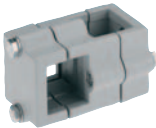
Tube clamps
cross, stainless steel

29002
Page 994



Tube clamps
cross, plastic

29002
Page 994



Tube clamps
cross, aluminium

29004
Page 995



Tube clamps
cross, plastic

29004
Page 995



Tube clamps
cross, aluminium

29006
Page 996



Tube clamps
T-angle, plastic

29006
Page 997



Tube clamps
T-angle, aluminium

29006
Page 998



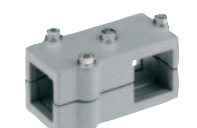
Tube clamps
T-angle, stainless steel

29008
Page 999



Tube clamps
T-angle, plastic

29008
Page 1000



Tube clamps
T-angle, aluminium

29008
Page 1000



Tube clamps
right-angle, aluminium

29010
Page 1001



Tube clamps
base, plastic

29010
Page 1002



Tube clamps
base, aluminium

29010
Page 1003



Tube clamps
base, stainless steel

29012
Page 1004



Tube clamps
base, plastic

29012
Page 1004



Tube clamps
base, aluminium

29014
Page 1005



Tube clamps
flange, plastic

29014
Page 1006



Tube clamps
flange, aluminium

29014
Page 1007



Tube clamps
flange, aluminium

29014
Page 1008



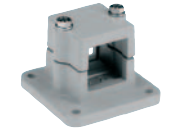
Tube clamps
flange, stainless steel

29016
Page 1009



Tube clamps
flange, plastic

29016
Page 1009



Tube clamps
flange, aluminium

29022
Page 1010



Tube clamps
straight, plastic

29024
Page 1011



Tube clamps
swivel half, sunken teeth, plastic

29026
Page 1012



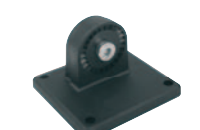
Tube clamps
swivel half, raised teeth, plastic

29028
Page 1013



Tube clamps
swivel half, sunken teeth, plastic

29030
Page 1014



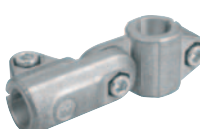
Tube clamps
swivel base, sunken teeth, plastic

29032
Page 1015



Tube clamps
swivel, plastic

29032
Page 1016



Tube clamps
swivel, aluminium

+ New/Expanded Items



Tube clamps
swivel, plastic



Tube clamps
swivel, aluminium



Tube clamps
swivel base, plastic



Tube clamps
swivel base, aluminium



Reducer sleeves
square



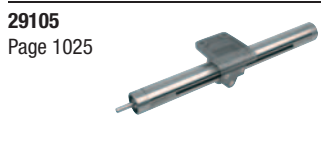
Reducer sleeves
round



Round and square tubes



Tube end plugs



Linear actuators



Linear actuators, stainless steel



Linear actuator connector clamps
cross



Linear actuator connector clamps,
stainless steel cross



Linear actuator connector clamps
cross



Linear actuator connector clamps
flange



Linear actuator connector clamps,
stainless steel
flange



Linear actuator connector clamps
base



Linear actuator connector clamps,
stainless steel
base



Monitor brackets



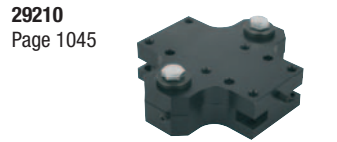
Column bases single



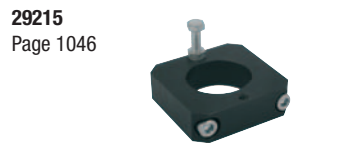
Column bases double



Column clamps double



Adjustment units



Column shaft collars



Rods stainless steel

+ New/Expanded Items

Tube clamps

cross, plastic



Material:

Thermoplastic.
DIN 7984 screws and DIN 985 nuts steel.

Version:

Black.
Screws and nuts electro zinc-plated.

Sample order:

nIm 29000-1818

Note:

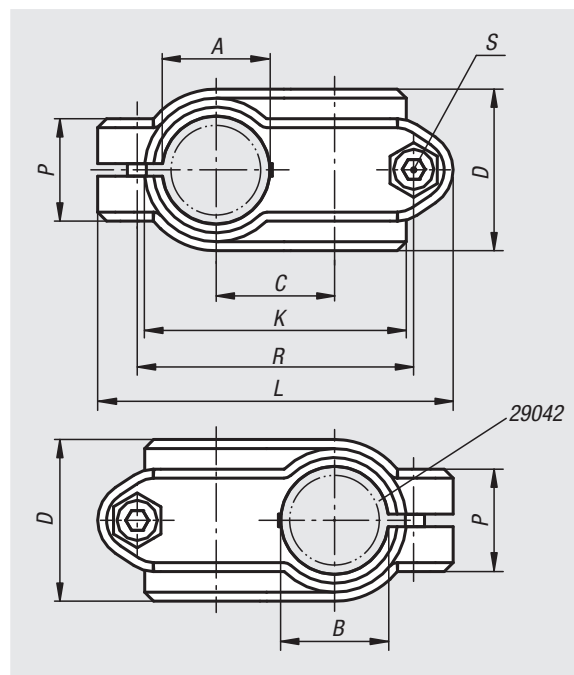
The standard size for round tubes is Ø18 mm or Ø30 mm.
Use reducer sleeves 29042 if smaller tubes are to be clamped or a conversion from round to square tubes is required.

On request:

Plastic levers for locking.

Accessories:

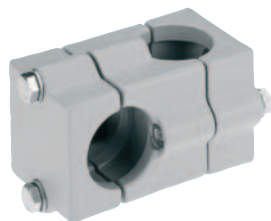
- Reducer sleeves 29042
- Round and square tubes 29050



Order No.	A	B	C	D	K	L	P	R	S
29000-1818	18	18	20	30	48	63	21	48	M6x18
29000-3030	30	30	33	45	72	99	28,5	77	M8x25

Tube clamps

cross, aluminium



Material:

Cast aluminium.
Screws and nuts steel.

Version:

Vibratory ground.
Screws and nuts electro zinc-plated.

Sample order:

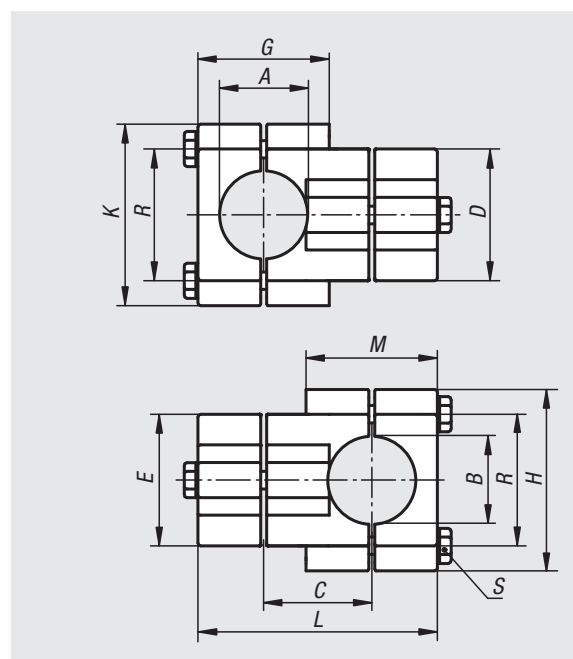
nIm 29000-523030

On request:

Levers for locking and other diameters.

Accessories:

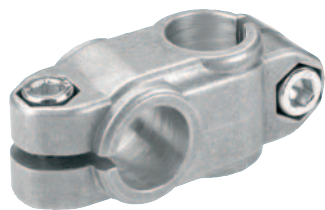
- Round and square tubes 29050



Order No.	A	B	C	D	E	G	H	K	L	M	R	S
29000-523030	30,2	30,2	38	45	45	44	64	64	83	44	46	M8x45
29000-524040	40,2	40,2	50	60	60	61	75	75	111	61	57	M8x60

Tube clamps

cross, aluminium



Material:

Cast aluminium.
DIN 7984 screws and DIN 985 nuts, steel.

Version:

Vibratory ground.
Screws and nuts electro zinc-plated.

Sample order:

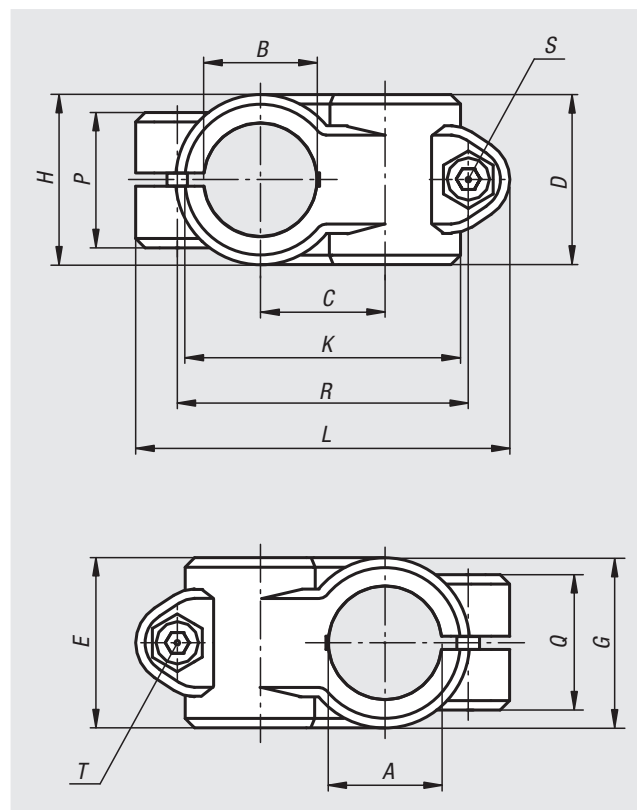
nIm 29000-51818

On request:

Clamping levers for tightening.

Accessories:

- Round and square tubes 29050



Order No.	A	B	C	D	E	G	H	K	L	P	Q	R	S	T
29000-51212	12,1	12,1	20	25,5	25,5	-	-	43,5	67	23	23	49	M6x20	M6x20
29000-51414	14,1	14,1	20	25,5	25,5	-	-	43,5	67	23	23	49	M6x20	M6x20
29000-51515	15,1	15,1	20	25,5	25,5	-	-	43,5	67	23	23	49	M6x20	M6x20
29000-51616	16,1	16,1	20	25,5	25,5	-	-	43,5	67	23	23	49	M6x20	M6x20
29000-51818	18,1	18,1	20	25,5	25,5	-	-	43,5	67	23	23	49	M6x20	M6x20
29000-52014	20,1	14,1	27	40	33	40	26	59	84	21	33	65	M8x25	M6x20
29000-52020	20,1	20,1	33	40	40	-	-	73	101	33	33	78	M8x25	M8x25
29000-52514	25,1	14,1	27	40	33	40	26	59	84	21	33	65	M8x25	M6x20
29000-52525	25,1	25,1	33	40	40	-	-	73	101	33	33	78	M8x25	M8x25
29000-53014	30,1	14,1	27	40	33	40	26	59	84	21	33	65	M8x25	M6x20
29000-53030	30,1	30,1	33	40	40	-	-	73	101	33	33	78	M8x25	M8x25
29000-54020	40,17	20,1	36	50	40	52	32	60	110	33	40	86,5	M10x30	M8x25
29000-54030	40,17	30,1	45	65	65	65	45	98	137,5	44	44	108,5	M10x30	M10x30
29000-54040	40,17	40,17	45	60	60	-	-	100	137	40	40	111	M10x30	M10x30
29000-55030	50,22	30,1	45	65	65	65	45	98	137,5	44	44	108,5	M10x35	M10x35
29000-55050	50,2	50,2	53	70	70	-	-	118	154	45	45	128	M10x35	M10x35

Tube clamps

cross, stainless steel



Material:

Investment cast 1.4308 stainless steel.
ISO 4762 cap screw and ISO 4032 hex nut, stainless steel.
From $\varnothing 30$ mm ISO 4017 hex head bolt, stainless steel.

Version:

Electropolished.

Sample order:

nIm 29000-11212

Note:

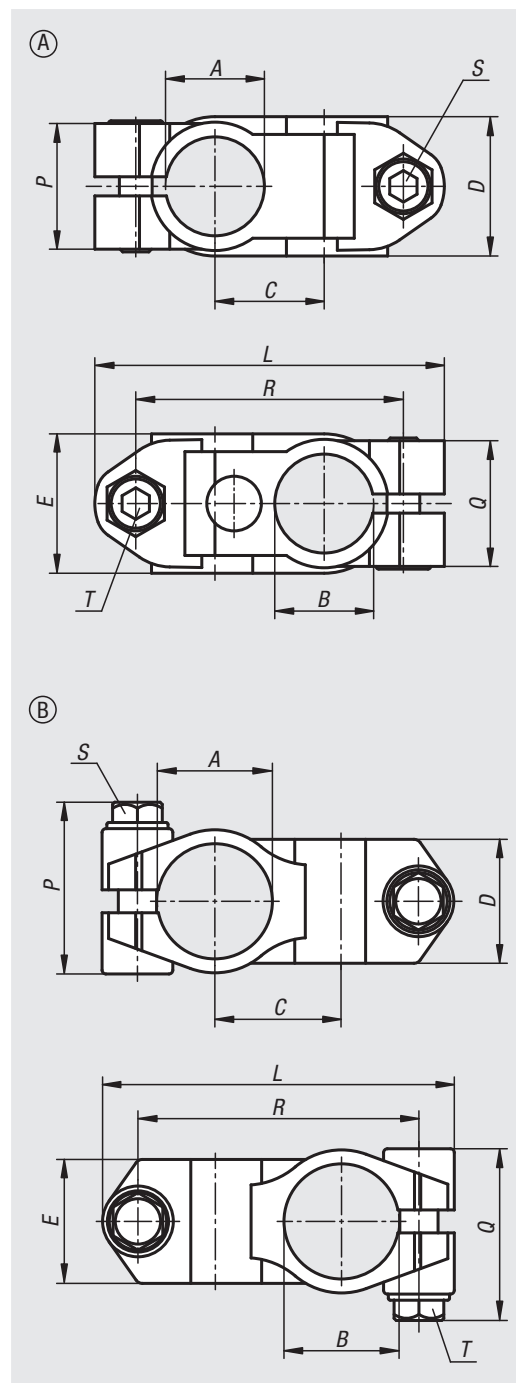
The tube clamps with diameters 30 and 40 mm have a silicone sleeve that protects the thread of the hex head screw from contamination and damage.

On request:

Clamping levers for tightening.

Accessories:

- Round and square tubes 29050



Order No.	Form	A	B	C	D	E	L	P	Q	R	S	T
29000-11212	A	12,1	12,1	20	25,5	25,5	64	23	23	49	M6x18	M6x18
29000-11414	A	14,1	14,1	20	25,5	25,5	64	23	23	49	M6x18	M6x18
29000-11616	A	16,1	16,1	20	25,5	25,5	64	23	23	49	M6x18	M6x18
29000-11818	A	18,1	18,1	20	25,5	25,5	64	23	23	49	M6x18	M6x18
29000-12020	A	20,1	20,1	21	25,5	25,5	64	23	23	49	M6x18	M6x18
29000-13030	B	30,1	30,1	33	32,4	32,4	92	45,5	45,5	73,5	M8x30	M8x30
29000-14040	B	40,17	40,17	42	40,4	40,4	118	52	52	95,5	M10x35	M10x35