

Filler necks



Material, version:

- 1. Filler housing chrome steel
- 2. Air filter polyurethane (PU foam), filter mesh 40 µm. Flow rate up to 720 l/min
- 3. Flat seal cork
- 4. Mounting flange with fastening screws, bayonet fitting
- 5. Flat seal cork
- 6. Chain nickel-plated brass
- 7. Filler sieve electro zinc-plated steel

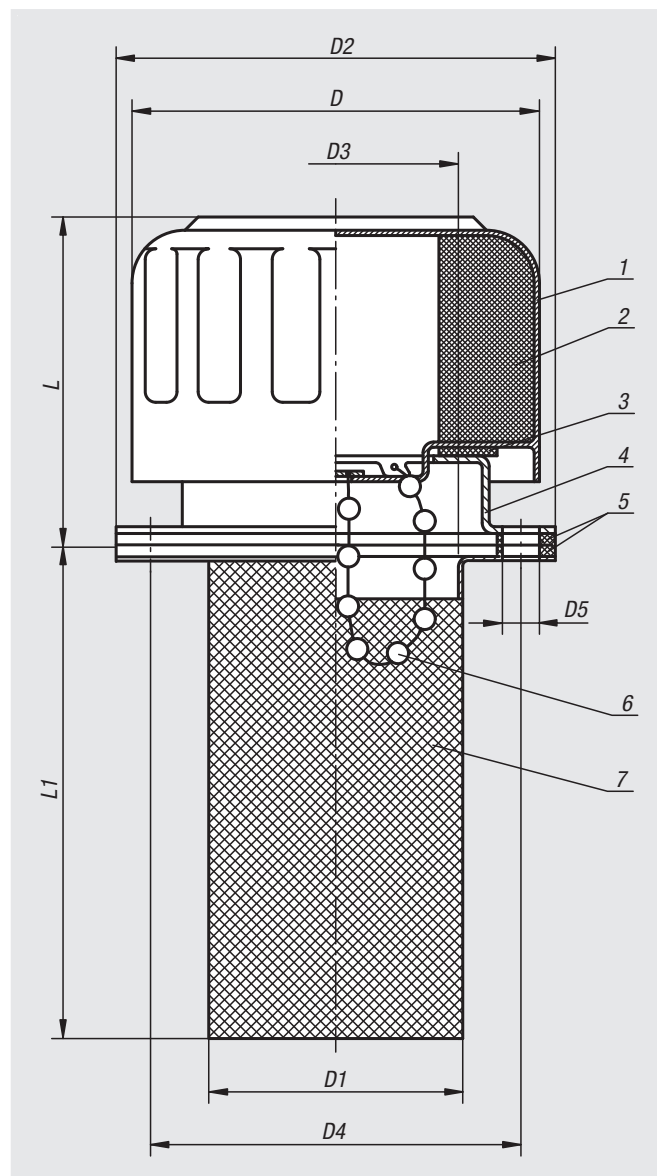
Sample order:

nIm 28071-45

Note:

The filler necks are supplied with seals and M5 fastening screws.

Not suitable for water tanks.



Order No.	Version 1	D	D1	D2	D3	D4	D5	L	L1
28071-45	without chain	46,5	27,5	52	25	41,3	6 (3x)	43	66
28071-77	with chain	80	49	83	44	71,5	6 (6x)	57	80