

Filler necks



Material, version:

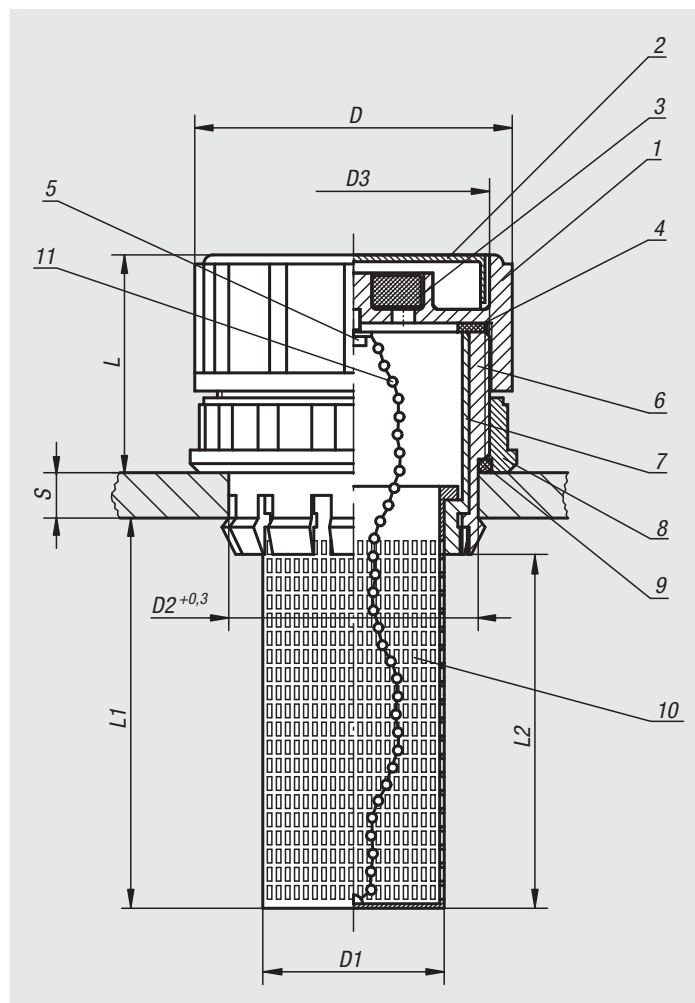
1. Housing black thermoplastic polyamide 66.
2. Sealing cap red thermoplastic polyamide 66.
3. Air filter polyurethane (PU foam), filter grade 40 µm.
4. Flat seal NBR
5. Fastening screw nickel-plated steel.
6. Press-in unit black thermoplastic polyamide 66.
7. Stop sleeve black thermoplastic polyamide 66.
8. Fastening nut black polyamide 66.
9. O-ring NBR, Shore 70.
10. Filler sieve black thermoplastic polypropylene.
11. Chain nickel-plated brass.

Sample order:

nIm 28070-706020

Note:

Temperature resistant up to 80 °C.



| Order No. | D | D1 | D2 | D3 | L | L1 | L2 | S |
|--------------|----|----|----|-------|------|----|----|-------|
| 28070-706020 | 70 | 38 | 55 | M60X2 | 46,5 | 88 | 80 | 2 - 8 |