

Dipsticks

**Material:**

Grip thermoplastic polyamide.
Dipstick steel.
O-ring NBR, Shore 70.

Version:

Black handle.
Dipstick, phosphated.

Sample order:

nlm 28060-23218

Temperature range:

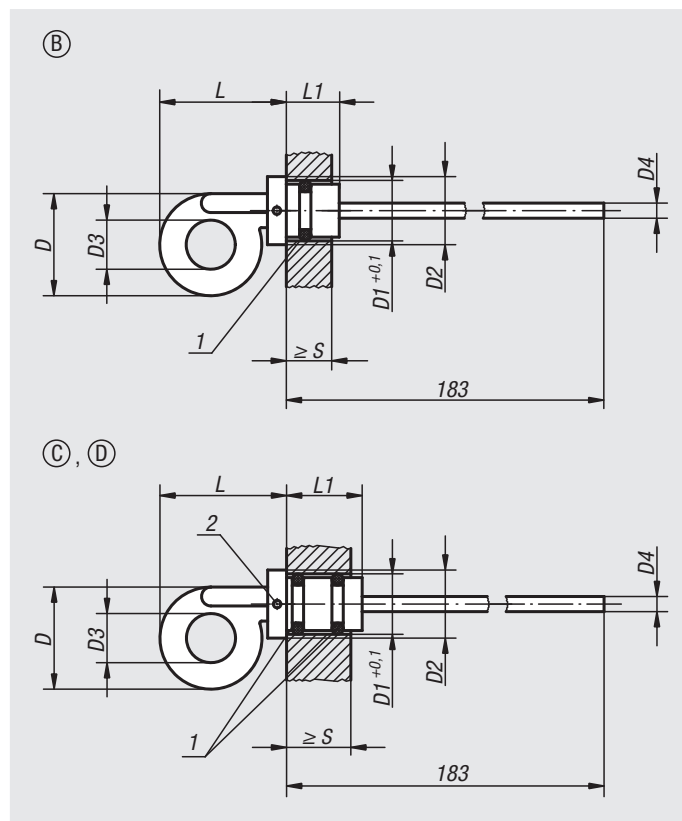
Temperature resistant with oil up to 100°C.

Drawing reference:

Form B: with vent hole
Form C: without vent hole
Form D: with vent hole

1) O-ring

2) Form D only



Order No.	Form	D	D1	D2	D3	D4 Ø	L	L1	S min.
28060-22714	B	27	14	18	13	4	34	13	10
28060-23218	B	32	18	24	14	5	45	17	9
28060-23220	B	32	20	24	14	5	44,5	18	10
28060-32714	C	27	14	18	13	4	34	20	17
28060-33012	C	27	12	18	14	4	36	20	16
28060-33318	C	33	18	24	14	5	44	21	17,5
28060-33520	C	35	20	24	16	5	46	21	17,5
28060-42714	D	27	14	18	13	4	34	20	17
28060-43318	D	33	18	24	14	5	44	21	17,5