

## Vent screws

with check valve and dipstick



### Material:

Housing and cap thermoplastic polyamide.  
Spring stainless steel.  
Dipstick zinc.  
Lift disc and seal rubber (NBR).

### Version:

Housing black.  
Cap red.  
Dipstick phosphated.

### Sample order:

nIm 28058-30038

### Note:

Opening pressure 0.20 – 0.25 bar.

### Temperature range:

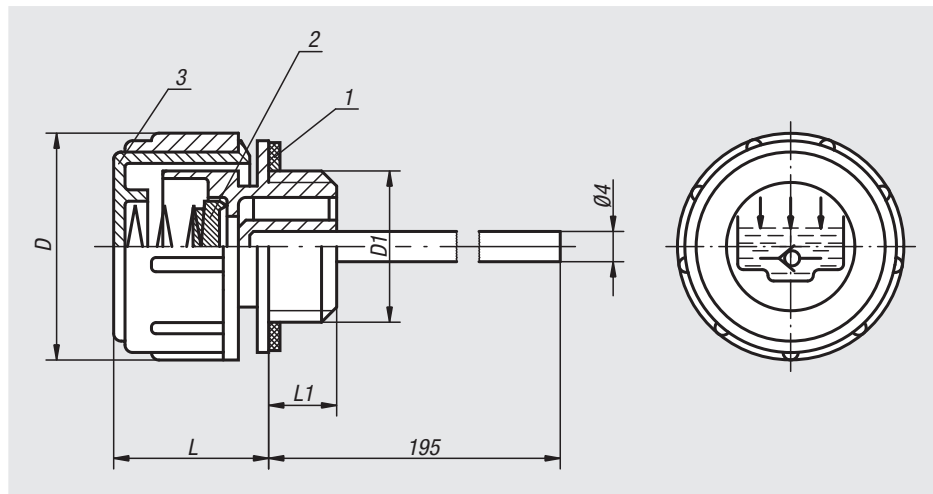
Temperature resistant with oil up to 100°C.

### On request:

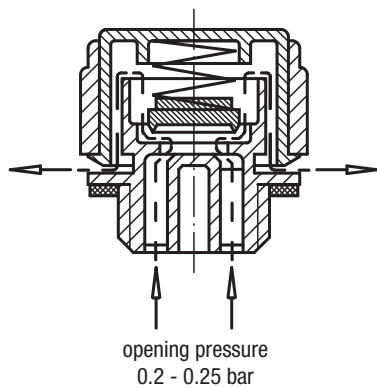
Min-Max markings.

### Drawing reference:

- 1) flat seal
- 2) lift disc
- 3) cap



### Operating principle



Order No.	D	D1	L	L1
28058-30038	30	G3/8	21	10
28058-30012	30	G1/2	21	10