

Vent screws

with dipstick



Material:

Housing and cap thermoplastic polyamide 66.
Air filter polyurethane (PU foam).
Dipstick zinc.
O-ring NBR, Shore 70.

Version:

Housing black.
Cap red.
Filter mesh 50 µm.
Dipstick phosphated.

Sample order:

nIm 28054-141012

Note:

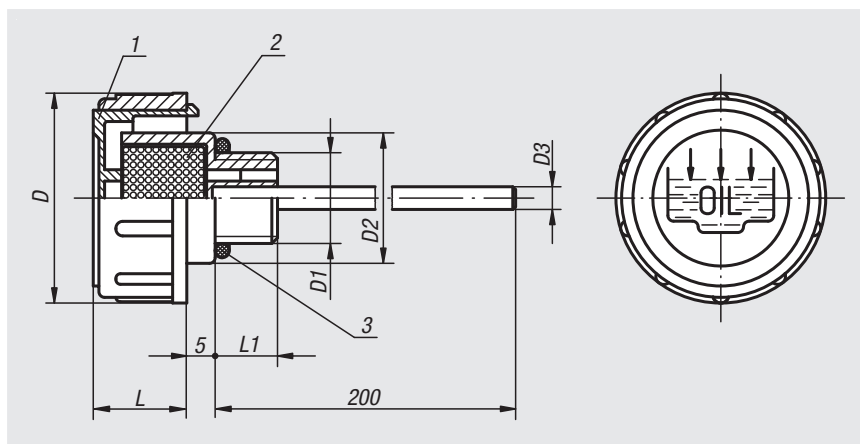
The removable cap allows easy cleaning of the air filter.

Form A: without air filter

Form B: with air filter

Temperature range:

Temperature resistant with oil up to 100°C.



On request:

Min-Max markings.

Drawing reference:

- 1) cap
- 2) air filter Form B only
- 3) O-ring

Order No.	Form	D	D1	D2	D3	L	L1
28054-136038	A	36	G3/8	23	4	17	11
28054-141012	A	41	G1/2	28	4	18	12
28054-147034	A	47	G3/4	33	5	17	12
28054-152100	A	52	G1	38	5	20	12
28054-163114	A	63	G1 1/4	49	5	23	13
28054-163112	A	63	G1 1/2	55	5	23	13,5
28054-1361615	A	36	M16x1,5	23	4	17	11
28054-1411815	A	41	M18x1,5	28	4	17,5	12
28054-1412015	A	41	M20x1,5	28	4	17,5	12
28054-1412215	A	41	M22x1,5	28	4	17,5	12
28054-236038	B	36	G3/8	23	4	17	11
28054-241012	B	41	G1/2	28	4	18	12
28054-247034	B	47	G3/4	33	5	17	12
28054-252100	B	52	G1	38	5	20	12
28054-263114	B	63	G1 1/4	49	5	23	13
28054-263112	B	63	G1 1/2	55	5	23	13,5
28054-2361615	B	36	M16x1,5	23	4	17	11
28054-2411815	B	41	M18x1,5	28	4	17,5	12
28054-2412015	B	41	M20x1,5	28	4	17,5	12
28054-2412215	B	41	M22x1,5	28	4	17,5	12