

## Press-in plugs

with dipstick



**Material:**

Housing and cap thermoplastic polyamide 66.  
Air filter polyurethane (PU foam).  
Dipstick zinc.  
O-ring NBR, Shore 70.

**Version:**

Housing black.  
Cap red.  
Filter mesh 50 µm.  
Dipstick phosphated.

**Sample order:**

nIm 28048-13018

**Temperature range:**

Temperature resistant with oil up to 100°C.

**On request:**

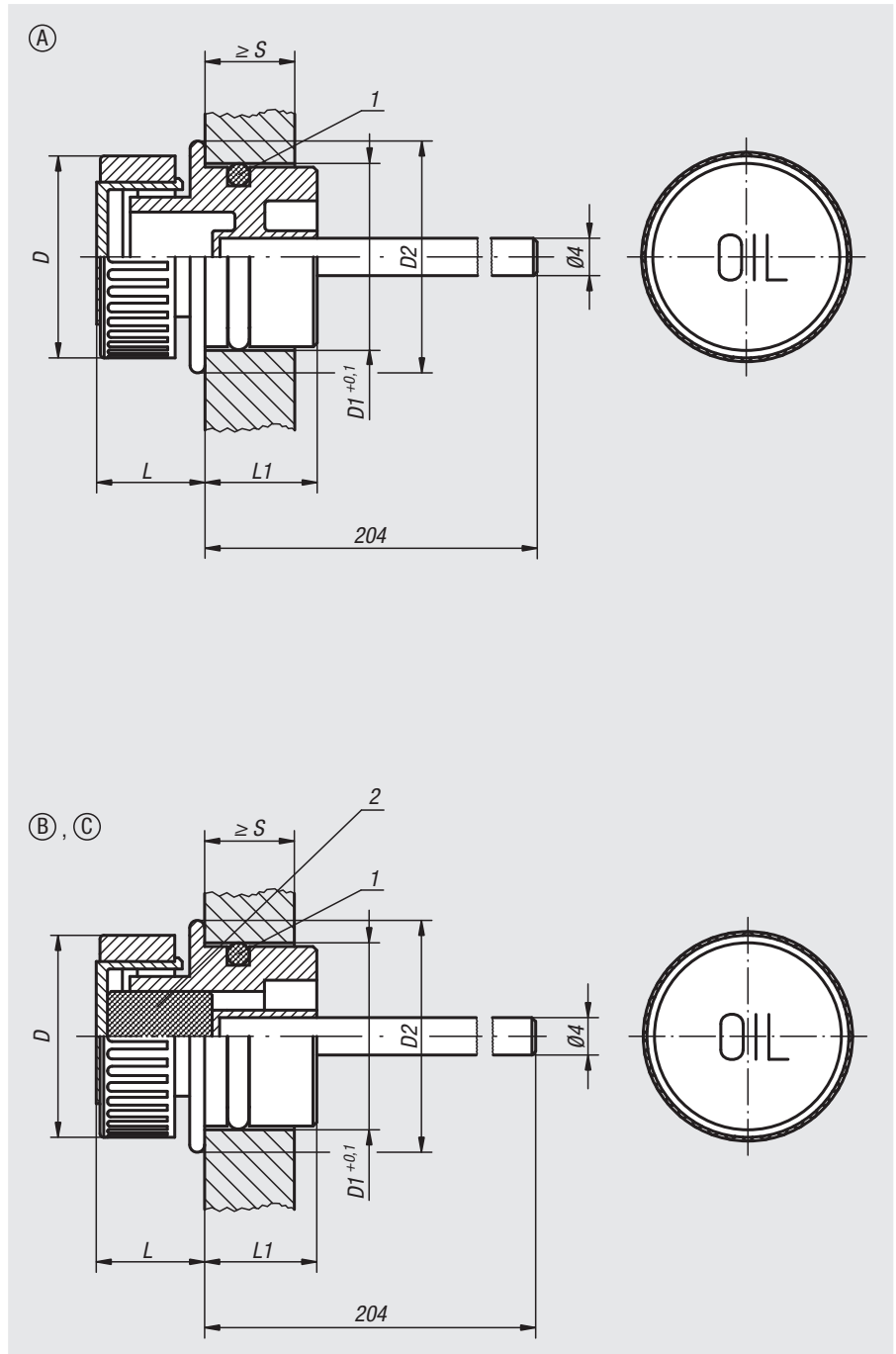
Min-Max markings.

**Drawing reference:**

Form A: without vent  
Form B: with vent  
Form C: with vent and air filter

1) O-ring

2) air filter Form C only



Order No. Form A	Order No. Form B	Order No. Form C	D	D1	D2	L	L1	S min.
28048-13018	28048-23018	28048-33018	30	18	23	14	14	8