

Vent screws brass

**Material:**

Housing and cap brass.
Air filter electro zinc-plated steel wire mesh.

Version:

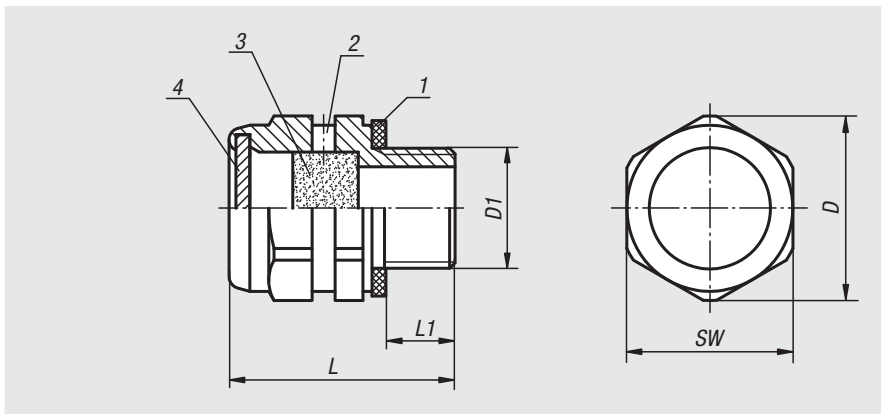
Air filter mesh 50 - 60 µm.
Flat seal asbestos-free.

Sample order:

nIm 28040-20014

Drawing reference:

- 1) flat seal
- 2) vent hole 2x
- 3) air filter
- 4) cap



Order No.	D	D1	L	L1	SW
28040-20014	20	G1/4	24,5	7,5	18
28040-24038	24,5	G3/8	24,5	8,5	22
28040-30012	30	G1/2	24,5	8,5	27

Vent screws brass

with check valve

**Material:**

Housing and cap brass.
Spring stainless steel.
Lift disc brass.
O-ring NBR.

Version:

Flat seal asbestos-free.

Sample order:

nIm 28042-20014

Note:

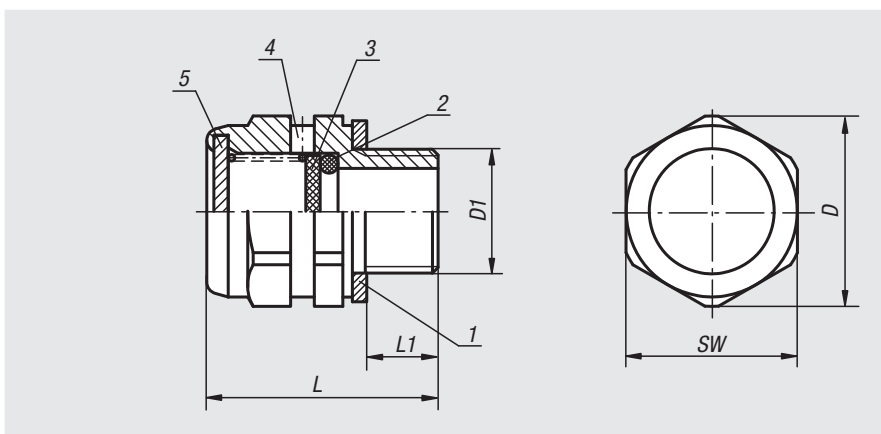
Opening pressure 0.3 bar (±0.1).

Functional principle:

See 28038 vent screws with check valve.

Drawing reference:

- 1) flat seal
- 2) O-ring
- 3) lift disc
- 4) vent hole 2x
- 5) cap



Order No.	D	D1	L	L1	SW
28042-20014	20	G1/4	24,3	7,5	18
28042-24038	24,5	G3/8	24,5	8,5	22
28042-30012	30	G1/2	24,5	8,5	27