

Vent screws

with check valve



Material:

Housing and cap thermoplastic polyamide 66.
Spring stainless steel.
Lift disc and flat seal rubber (NBR).

Version:

Housing black.
Cap red.

Sample order:

nIm 28038-30014

Note:

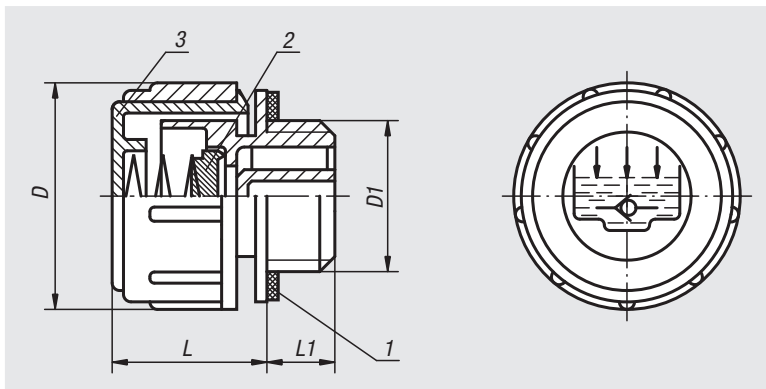
Opening pressure 0.20 – 0.25 bar.

Temperature range:

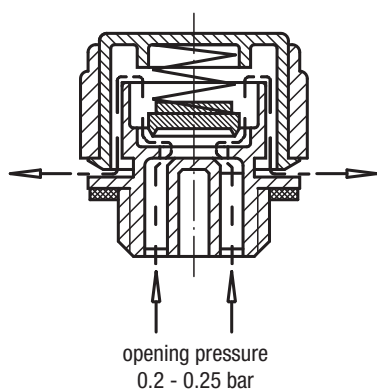
Temperature resistant with oil up to 100°C.

Drawing reference:

- 1) flat seal
- 2) lift disc
- 3) cap



Operating principle



Order No.	D	D1	L	L1
28038-30014	30	G1/4	21	10
28038-30038	30	G3/8	21	10
28038-30012	30	G1/2	21	10