

Caps for filler necks

**Material:**

Housing and cap thermoplastic polyamide 66.
Air filter polyurethane (PU foam).
Flat seal NBR, Shore 70.

Version:

Black housing.
Red cap.
Filter mesh 40 µm.

Sample order:

nIm 28032-67200

Temperature range:

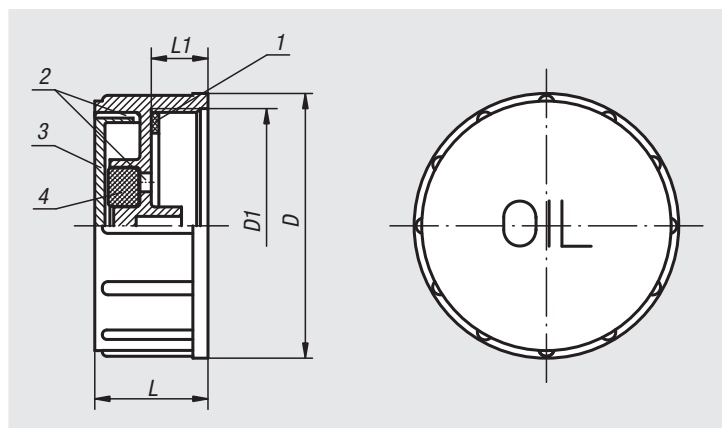
Temperature resistant with oil up to 100°C.

On request:

Cap in yellow for diesel oil.

Drawing reference:

- 1) flat seal
- 2) vent
- 3) cap
- 4) air filter



Order No.	D	D1	L	L1
28032-67200	67,5	G2	30	15
28032-676020	67,5	M60x2	30	15

Vent screws

**Material:**

Housing, cap in thermoplastic polyamide 66.
Air filter (Form B only) in polyurethane (PU foam).
O-ring in rubber (NBR).

Version:

Black housing. Red cap. Filter mesh 60 µm.

Sample order:

nIm 28034-147034

Note:

The removable cap allows easy cleaning of the air filter.

Form A: without air filter

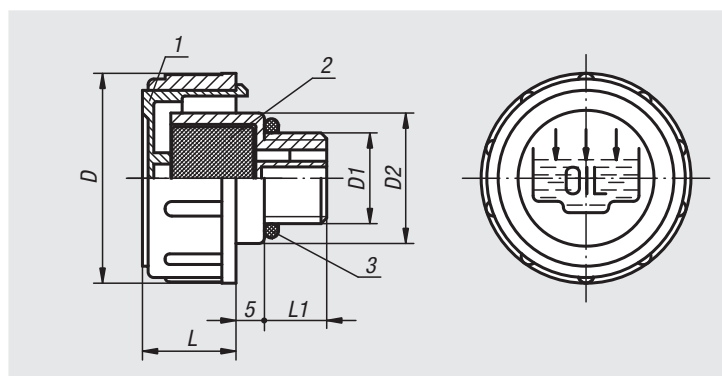
Form B: with air filter

Temperature range:

Temperature resistant with oil up to 100°C.

Drawing reference:

- 1) cap
- 2) air filter Form B only
- 3) O-ring



Order No. Form A	Order No. Form B	D	D1	D2	L	L1
28034-136038	28034-236038	36	G3/8	23	17	11
28034-141012	28034-241012	41	G1/2	28	18	12
28034-147034	28034-247034	47	G3/4	33	17	12
28034-152100	28034-252100	52	G1	38	20	12
28034-163114	28034-263114	63	G1 1/4	49	23	13
28034-163112	28034-263112	63	G1 1/2	55	23	13,5
28034-1361615	28034-2361615	36	M16x1,5	23	17	11
28034-1411815	28034-2411815	41	M18x1,5	28	17,5	12
28034-1412015	28034-2412015	41	M20x1,5	28	17,5	12
28034-1412215	28034-2412215	41	M22x1,5	28	17,5	12