

# Screw plugs

with dipstick



## Material:

Thermoplast, polyamide 66.  
Dipstick steel, zinc phosphated.

## Version:

Flat seal asbestos-free.

## Sample order:

nIm 28029-122038

## Note:

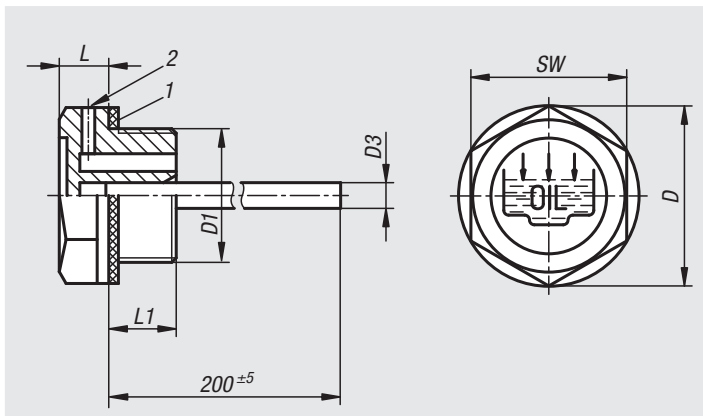
Form B has a vent hole on the side of the hexagon head with a diameter of between 2 and 3.5 mm, depending on the size of the screw plug.

## Temperature range:

Temperature resistant with oil up to 100°C.

## Drawing reference:

- 1) flat seal
- 2) vent hole Form B only



Order No.	Form	D	D1	D3	L	L1	SW
28029-119014	A	19	G1/4	4	7	9	17
28029-122038	A	22	G3/8	4	7,5	10	18
28029-128012	A	28	G1/2	4	7,5	11	24
28029-134034	A	34	G3/4	5	9	11	30
28029-142100	A	42	G1	5	10,5	12	36
28029-151114	A	51	G1 1/4	5	12	13,5	42
28029-1191415	A	19	M14X1,5	4	7	9	17
28029-1211615	A	21	M16X1,5	4	7,5	10	18
28029-1261815	A	26	M18X1,5	4	7,5	10	21
28029-1282015	A	28	M20X1,5	4	8	10	24
28029-1282215	A	28	M22X1,5	4	8	11	24
28029-219014	B	19	G1/4	4	7	9	17
28029-222038	B	22	G3/8	4	7,5	10	18
28029-228012	B	28	G1/2	4	7,5	11	24
28029-234034	B	34	G3/4	5	9	11	30
28029-242100	B	42	G1	5	10,5	12	36
28029-251114	B	51	G1 1/4	5	12	13,5	42
28029-2191415	B	19	M14X1,5	4	7	9	17
28029-2211615	B	21	M16X1,5	4	7,5	10	18
28029-2261815	B	26	M18X1,5	4	7,5	10	21
28029-2282015	B	28	M20X1,5	4	8	10	24