

Screw plugs with magnet

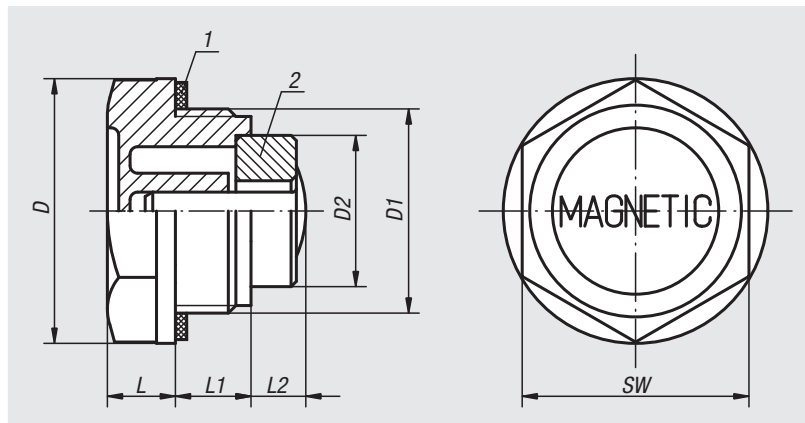


Material:
Thermoplastic polyamide 66. Ferrite permanent magnet.

Version:
Black. Flat seal asbestos-free

Sample order:
nlm 28024-22038

Note:
The magnetic effect of the screw plug attracts iron particles in the oil.
Screwing the plug into the drain outlet diminishes possible damage to mechanical components.



Temperature range:
Temperature resistant with oil up to 100°C.

Drawing reference:
1) flat seal
2) magnet

Order No.	D	D1	D2	L	L1	L2	SW
28024-20014	20	G1/4	8	7	9	5	17
28024-22038	22	G3/8	13	7,5	10	10	18
28024-27012	27	G1/2	13	8	11	9	24
28024-34034	34	G3/4	19,6	9	11	6,5	30
28024-42100	42	G1	19,6	10,5	12	14	35
28024-201415	20	M14X1,5	8	7	9	5	17

Screw plugs aluminium with magnet

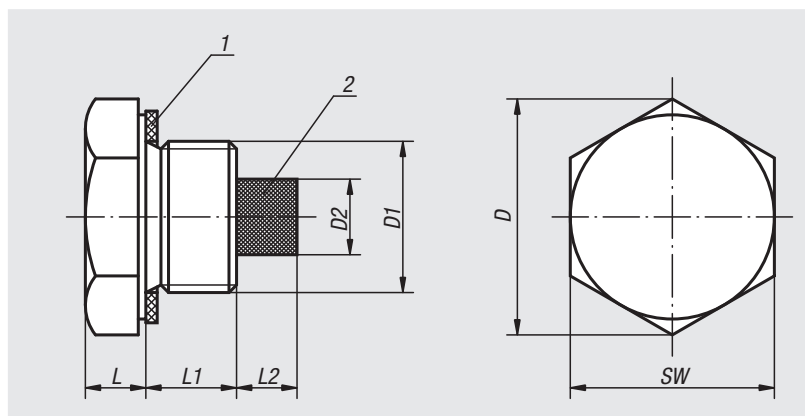


Material:
Aluminium. Ferrite permanent magnet.

Version:
Bright. Flat seal asbestos-free.

Sample order:
nlm 28026-24038

Note:
The magnetic effect of the screw plug attracts iron particles in the oil.
Screwing the plug into the drain outlet diminishes possible damage to mechanical components.



Drawing reference:
1) flat seal
2) magnet

Order No.	D	D1	D2	L	L1	L2	SW
28026-21014	21	G1/4	5	7	10	6	19
28026-24038	24,5	G3/8	8	7	10	7	22
28026-30012	30	G1/2	10	8	10	7	27
28026-36034	36,5	G3/4	13	8	10	7	34
28026-42100	42,5	G1	13	8	14	7	40