

Screw plugs

with hexagon socket


Material:

Steel 1.0737.

O-ring NBR, Shore 90.

Version:

Electro zinc-plated.

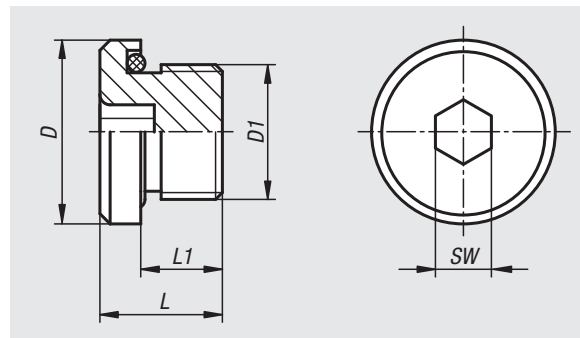
Sample order:

nIm 28021-15018

Note:

Operating temperature: -20°C / +100°C.

Operating pressure: max. 70 bar for static application.



Order No.	D	D1	L	L1	SW
28021-15018	15	G1/8	13	9	4
28021-19014	19	G1/4	16	11	6
28021-22038	22	G3/8	17	11	6
28021-27012	27	G1/2	20	14	8
28021-32034	32	G3/4	20	14	12
28021-40001	40	G1	22	16	12
28021-50114	50	G1 1/4	25	18	12
28021-55112	55	G1 1/2	24	17	24
28021-141010	15	M10X1	12	8	5
28021-171215	17	M12X1,5	16	10	6
28021-191415	19	M14X1,5	16	10	6
28021-221615	22	M16X1,5	16	10	6
28021-251815	25	M18X1,5	17	11	8
28021-272015	27	M20X1,5	18	12	8
28021-282215	28	M22X1,5	18	12	10
28021-322615	32	M26X1,5	20	13,5	12
28021-322702	32	M27X2	20	13,5	12
28021-403302	40	M33X2	21	15	17
28021-504202	50	M42X2	24	17	22
28021-554802	55	M48X2	24	17	24