

Oil level sight glasses

aluminium



Material:

Housing in aluminium.
Reflector in aluminium or white plastic.
Polyamide viewing lens.

Version:

Transparent viewing lens,
temperature-resistant with oil up to 100 °C,
with water up to 70 °C.
Flat seal, asbestos-free.

Sample order:

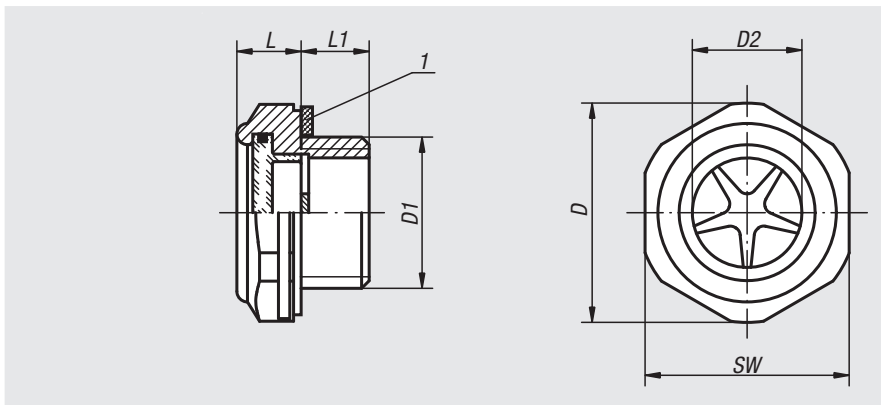
nIm 28010-29012

Note:

The G3/8" and M18x1.5 versions have a white plastic reflector.

Drawing reference:

1) flat seal



Order No.	D	D1	D2	L	L1	SW	Tightening torque max. Nm	Pressure load max. bar
28010-20014	20	G1/4	11	8	8	17	9	10
28010-24038	24,1	G3/8	12,7	9,5	9	22	12	10
28010-29012	29,7	G1/2	15	10	9	27	18	10
28010-36034	35,2	G3/4	21,9	10	11	32	24	10
28010-42100	44,1	G1	25,1	11	11	40	-	10
28010-52114	55	G1 1/4	34	13,5	12	50	-	10
28010-241815	24,5	M18X1,5	13	10	9	22	12	10
28010-292215	29,5	M22X1,5	16	10	9	27	18	10

Oil level sight glasses

aluminium, glass window



Material:

Housing, reflector in aluminium.
Natural, clear glass viewing lens.
Internal seal, Viton®.

Version:

Viewing lens, temperature-resistant to 150 °C.
Flat seal, asbestos-free.

Sample order:

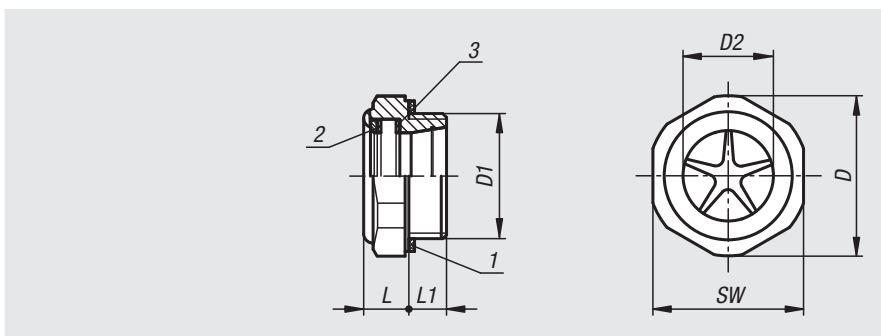
nIm 28012-29012

Note:

Resists high pressure and heat. Natural glass as the viewing lens ensures optimal light transmission and high surface hardness.

Drawing reference:

1) flat seal
2) external seal
3) internal seal



Order No.	D	D1	D2	L	L1	SW	Tightening torque max. Nm	Pressure load max. bar
28012-29012	29,5	G1/2	12	10	9	27	18	20
28012-34034	34,5	G3/4	16	12	10	32	24	20
28012-42100	42,5	G1	23	12	10	40	-	20
28012-292015	29,5	M20X1,5	12	10	9	27	18	20
28012-423315	42,5	M33X1,5	23	12	10	40	-	20