

## Oil level sight glasses

press-in



### Material:

Housing thermoplastic polyamide.  
O-ring NBR, Shore 70.  
Reflector plastic.

### Version:

Housing, transparent, high mechanical stability, non-ageing, temperature resistant up to 90 °C, resistant to solvents but not to alcohol or frost.  
Reflector white.

### Sample order:

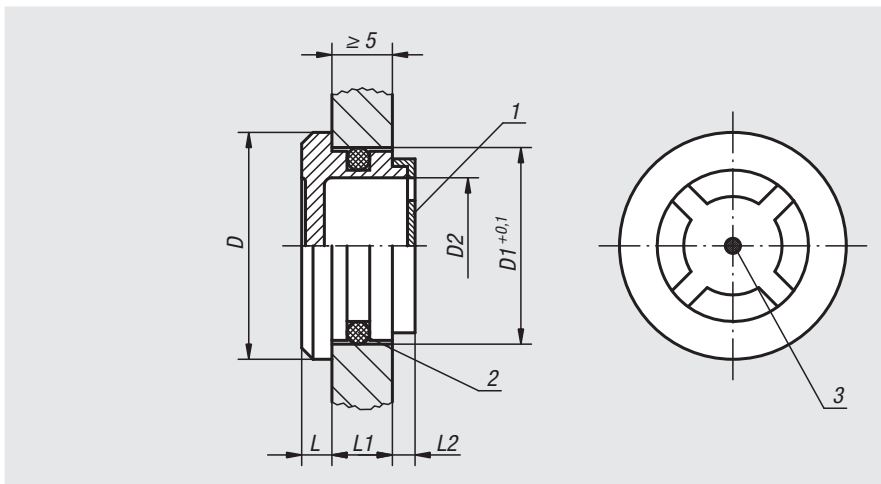
nlm 28006-3026

### Note:

For use where there is no internal pressure.

### Drawing reference:

- 1) reflector
- 2) O-ring
- 3) check mark



Order No.	D	D1	D2	L	L1	L2
28006-2420	24	20	14	4	7	3
28006-3026	30	26	20	4	8	3,5
28006-3632	36	32	24	4	9	4
28006-4238	42	38	30	4	10	4
28006-4440	44	40	32	4	10	4

## Oil level sight glasses

domed



### Material:

Housing in thermoplastic polyamide.

### Version:

Housing, transparent, high mechanical stability, non-ageing, temperature resistant with oil up to 100 °C, with water up to 70 °C.  
Resistant to solvents but not alcohol.  
Flat seal, asbestos-free.

### Sample order:

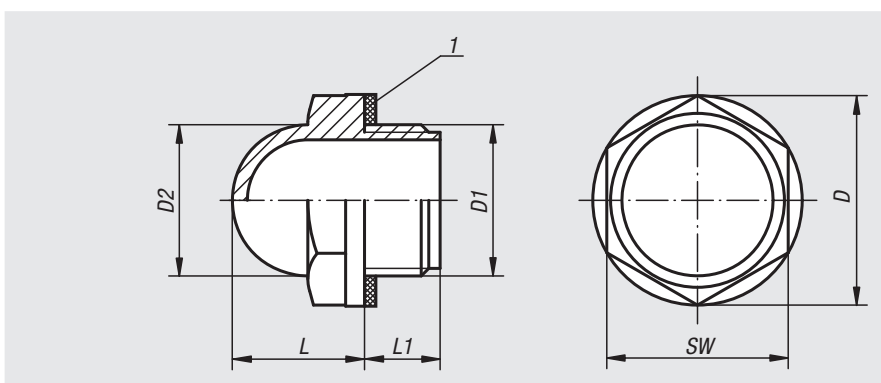
nlm 28008-28012

### On request:

Rubber gasket (NBR).

### Drawing reference:

- 1) flat seal



Order No.	D	D1	D2	L	L1	SW	Tightening torque max. Nm
28008-22038	22	G3/8	15	14	10	19	8
28008-28012	28	G1/2	20	17	10	24	12
28008-35034	35	G3/4	25	20	10	30	16
28008-42100	42	G1	31	24	10,5	36	20