

Screw plugs with hexagon socket
DIN 906, tapered thread



Screw plugs with collar and hexagon
socket
DIN 908



Screw plugs hex head with collar
DIN 910



Screw plugs



Screw plugs
with hexagon socket



Press-in plugs



Screw plugs with magnet



Screw plugs aluminium with magnet



Screw plugs
aluminium



Screw plugs



Screw plugs
with dipstick



Plugs fill only
knurled cap



Caps for filler necks



Vent screws



Vent screws
with splash guard



Vent screws
with check valve



Vent screws brass



Vent screws brass
with check valve



Press-in plugs
with dipstick



Vent screws
with dipstick



Vent screws
with check valve and dipstick



Dipsticks



Filler necks



Filler necks



Filler necks

Oil level gauges



Material:

Housing thermoplastic polyamide.
O-ring and flat seal rubber (NBR).
Reflector aluminium.
Screw and hex nut steel.

Version:

Transparent housing, high mechanical stability,
non-ageing, temperature resistant up to 100 °C.
Pressure resistant at 20 °C up to 10 bar, at 60 °C
up to 8 bar.
Reflector painted white, line marks and scale
black.
Screw and hexagon nut, electro zinc-plated.

Sample order:

nIm 28000-1127

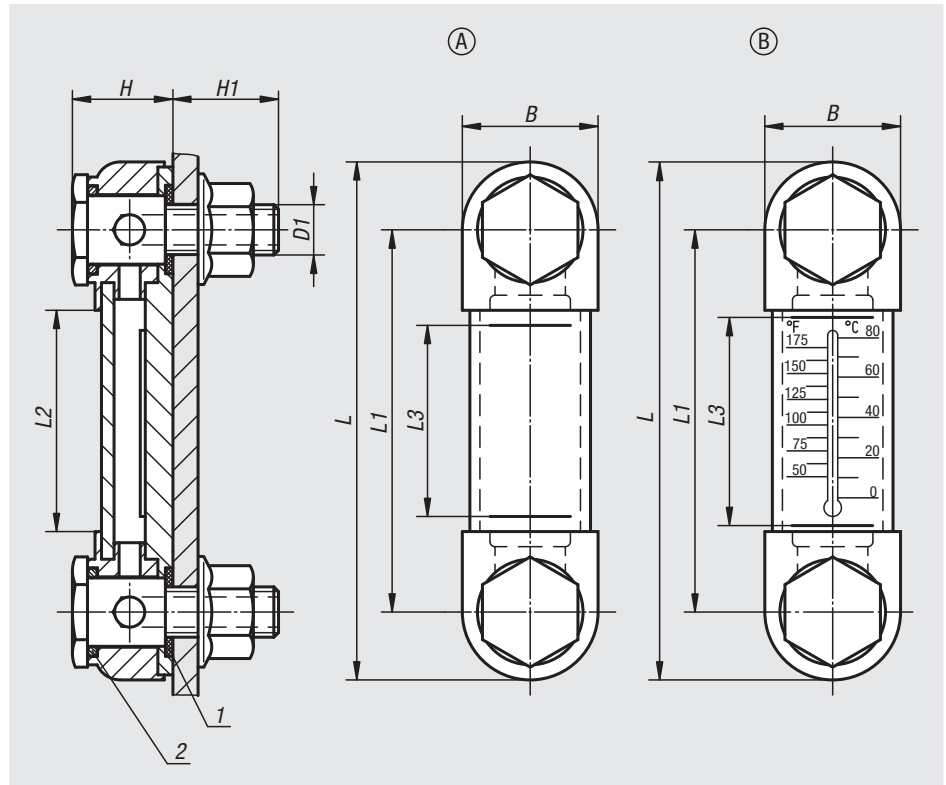
Note:

The oil level gauges can either be fastened as
shown in the illustration or screwed directly into
a tapped hole. Centre distance for the fastening
holes = $L1 \pm 0.3$.
The max. tightening torque for the fastening
screws is 5 Nm.

Drawing reference:

Form A: without thermometer
Form B: with thermometer

- 1) flat seal
- 2) O-ring



Order No.	Form	B	D1	H	H1	L	L1	L2	L3	Number of fastening screws	Thermometer scale
28000-1076	A	27	M10	20	21	103	76	44	37	2	-
28000-1127	A	27	M12	19	18	151	127	95	80	2	-
28000-2076	B	27	M10	20	21	103	76	44	37	2	0 - 80 °C / 50 - 175 °F
28000-2127	B	27	M12	19	18	151	127	95	80	2	0 - 100 °C / 50 - 200 °F

Oil level gauges



Material:

Housing steel.
Viewing glass thermoplastic polyamide.
O-ring and flat seal rubber (NBR).
Reflector aluminium.
Screw and hex nut steel.

Version:

Housing painted black.
Transparent viewing glass, high mechanical stability, non-ageing, temperature resistant with oil up to 100 °C, with water up to 70 °C.
Reflector painted white, markings and scale black.
Screw and hexagon nut, electro zinc-plated.

Sample order:

nIm 28000-107610

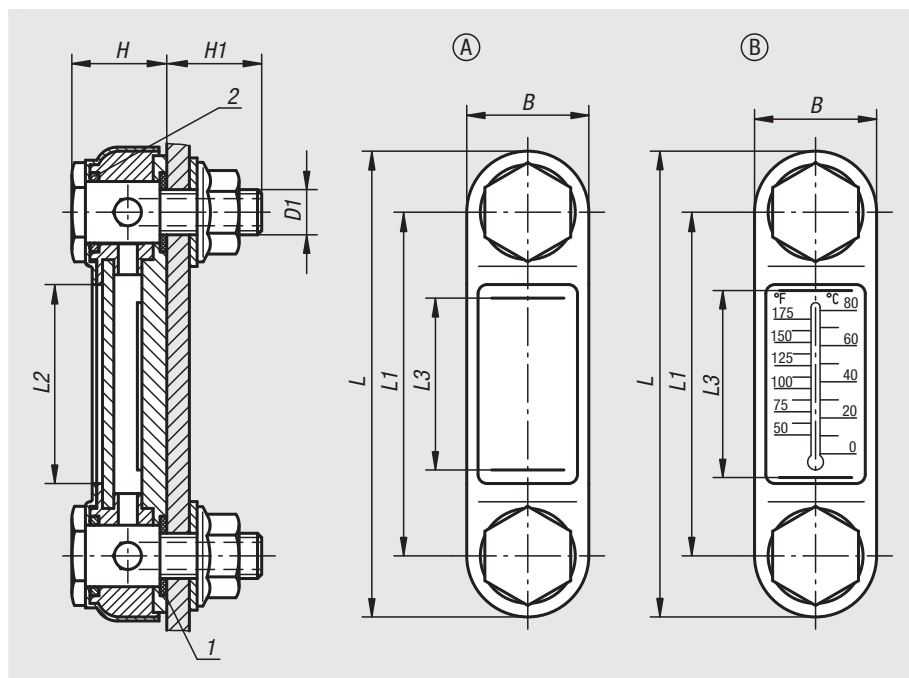
Note:

The oil level gauges can either be fastened as shown in the illustration or directly in the threaded hole.
Centre distance for the fastening holes = $L1 \pm 0.5$.
The oil level gauges are suitable for tanks operating without pressure.
Maximum operating temperature: 100 °C.

Drawing reference:

Form A: without thermometer
Form B: with thermometer

- 1) flat seal
- 2) O-ring



Order No.	Form	B	D1	H	H1	L	L1	L2	L3	Number of fastening screws	Thermometer scale
28000-107610	A	31	M10	24,5	20	107	76	39	37	2	-
28000-107612	A	31	M12	24,5	20	107	76	39	37	2	-
28000-112710	A	31	M10	24,5	20	156	127	90	80	2	-
28000-112712	A	31	M12	24,5	20	156	127	90	80	2	-
28000-125412	A	34	M12	33	17	286	254	200	178	2	-
28000-207610	B	31	M10	24,5	20	107	76	39	37	2	0 - 80 °C / 50 - 175 °F
28000-207612	B	31	M12	24,5	20	107	76	39	37	2	0 - 80 °C / 50 - 175 °F
28000-212710	B	31	M10	24,5	20	156	127	90	80	2	0 - 100 °C / 50 - 200 °F
28000-212712	B	31	M12	24,5	20	156	127	90	80	2	0 - 100 °C / 50 - 200 °F
28000-225412	B	34	M12	33	17	286	254	200	178	2	0 - 100 °C / 50 - 200 °F