

# Oil level gauges

with electronic temperature monitoring



**Material:**

Housing fibreglass reinforced thermoplastic polyamide.  
 Sight glass thermoplastic polyamide.  
 O-ring and flat seal NBR.  
 Reflector PVC.  
 Screw and nut, steel.

**Version:**

Housing black.  
 Sight glass crystal clear, high mechanical stability, non-ageing.  
 Reflector white.  
 Screw and nut electro zinc-plated.

**Sample order:**

nIm 28000-11-112712

**Note:**

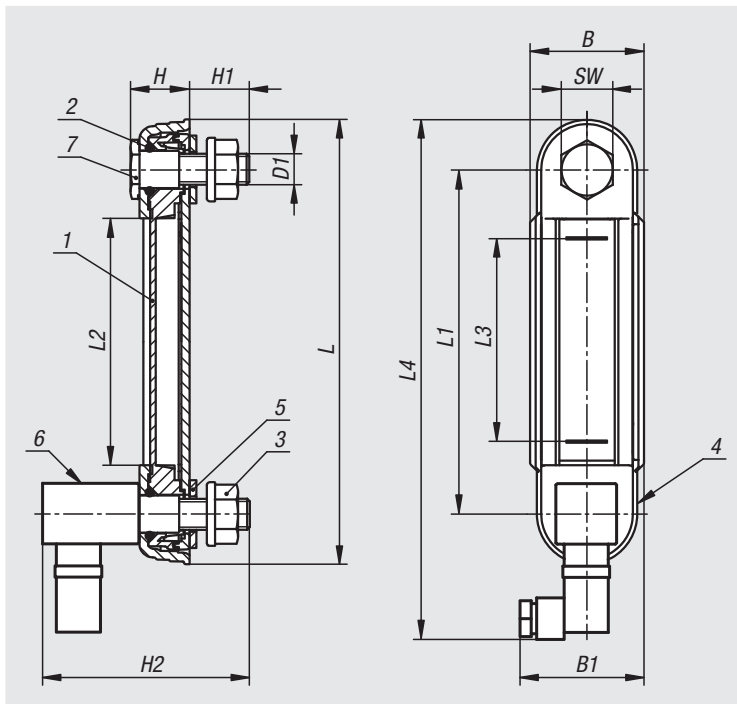
In addition to a visual check, the oil level gauges can also emit an electric signal if the temperature of the liquid inside the container reaches the threshold of 70 °C. The temperature is monitored by a temperature switch (bi-metal). When the specified temperature is reached, the sensor closes (NO) or opens (NC) the circuit depending on the model. The sight glass consists of two transparent components which are ultrasonically welded together following assembly. This ensures a seal around the entire body. The maximum pressure is 1 bar. The maximum tightening torque of the fastening screws is 5 Nm. The sight glass has high mechanical strength and is resistant to mineral oil, petrol, lubricants, petroleum, solvents and most chemical substances. Avoid contact with alcoholic solutions and hot water.

**Temperature range:**

Maximum operating temperature: 75 °C.

**Assembly:**

The oil level gauge is secured using two M12 tapped holes or, two 12.2 mm (± 0.2 mm) holes and flange nuts. Centre distance for the fastening holes = L1 ±0.3.



**Drawing reference:**

- 1) Inspection glass
- 2) O-ring
- 3) M12 flange nut
- 4) Housing
- 5) Flat seal
- 6) Temperature sensor
- 7) M12 hollow screw

Order No.	Version 2	B	B1	D1	H	H1	H2	L	L1	L2	L3	L4	SW	Number of fastening screws
28000-11-112712	normally open contact	42	45	M12	21	21	80	164	127	91	75	191	19	2
28000-11-212712	normally closed contact	42	45	M12	21	21	80	164	127	91	75	191	19	2

20000 21000 22000 23000 24000 26000 27000 28000 29000 31000 32000 33000