

# Spring hinges

aluminium profile tension spring hinges, 3.8 Nm



## Material:

Aluminium 6060 T5.  
End caps PA 6.6.  
Washers POM.

## Version:

Black anodised.  
Colourless anodised.

## Sample order:

nIm 27909-8210001

## Note:

These hinges have steel tension springs which enables doors and hatches to open or close automatically.  
Opening angle 270°.

## Spring torque opening:

$M(0^\circ)$ : 3.80 Nm /  $M(90^\circ)$ : 3.10 Nm /  $M(180^\circ)$ : 2.40 Nm

## Spring torque closing:

$M(0^\circ)$ : 2.20 Nm /  $M(90^\circ)$ : 2.90 Nm /  $M(180^\circ)$ : 3.50 Nm

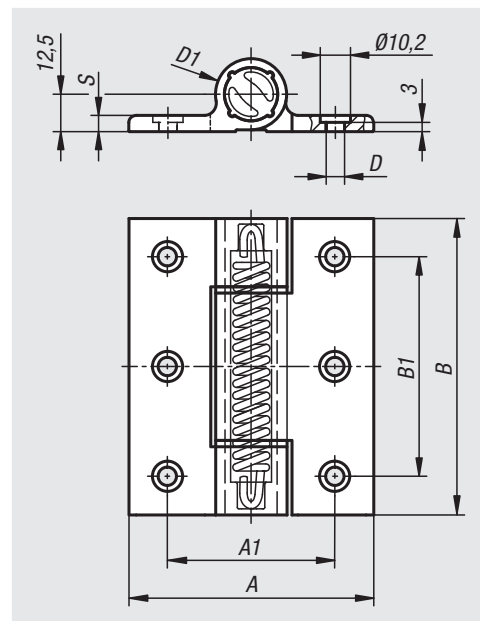
Fastened using DIN 912/EN ISO 4762 socket head screws.

## Temperature range:

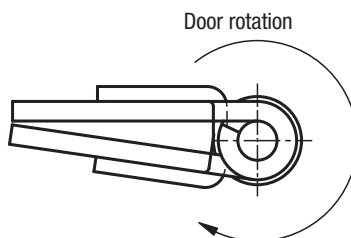
From -20°C to +80°C

## Accessories:

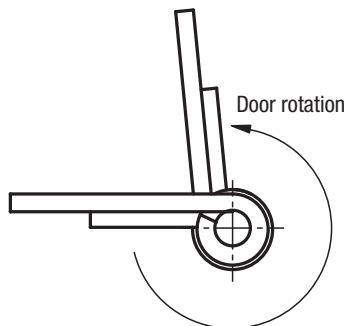
Socket head screws with hexagon socket DIN 912/EN ISO 4762.



Hinges with closing spring



Hinges with opening spring



| Order No.     | Version 1     | Main colour | A    | A1   | B   | B1 | D   | D1 | S   |
|---------------|---------------|-------------|------|------|-----|----|-----|----|-----|
| 27909-8210001 | spring open   | black       | 82,5 | 56,5 | 100 | 74 | 6,2 | 24 | 5,5 |
| 27909-821000  | spring open   | colourless  | 82,5 | 56,5 | 100 | 74 | 6,2 | 24 | 5,5 |
| 27909-8210011 | spring closed | black       | 82,5 | 56,5 | 100 | 74 | 6,2 | 24 | 5,5 |
| 27909-821001  | spring closed | colourless  | 82,5 | 56,5 | 100 | 74 | 6,2 | 24 | 5,5 |