

Spring hinges

aluminium profile, 0.9 Nm, long version



Material:

Aluminium 6060 T5.
Cover plug PA 6.6.

Version:

Black anodised.
Colourless anodised.

Sample order:

nlm 27907-02-3512001

Note:

These hinges have stainless steel tension springs which enables doors and hatches to open or close automatically.
Opening angle 270°.

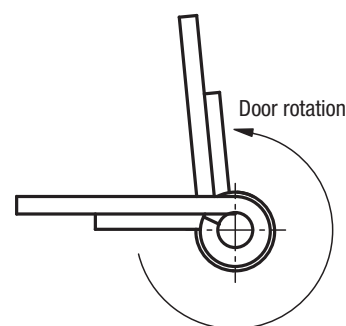
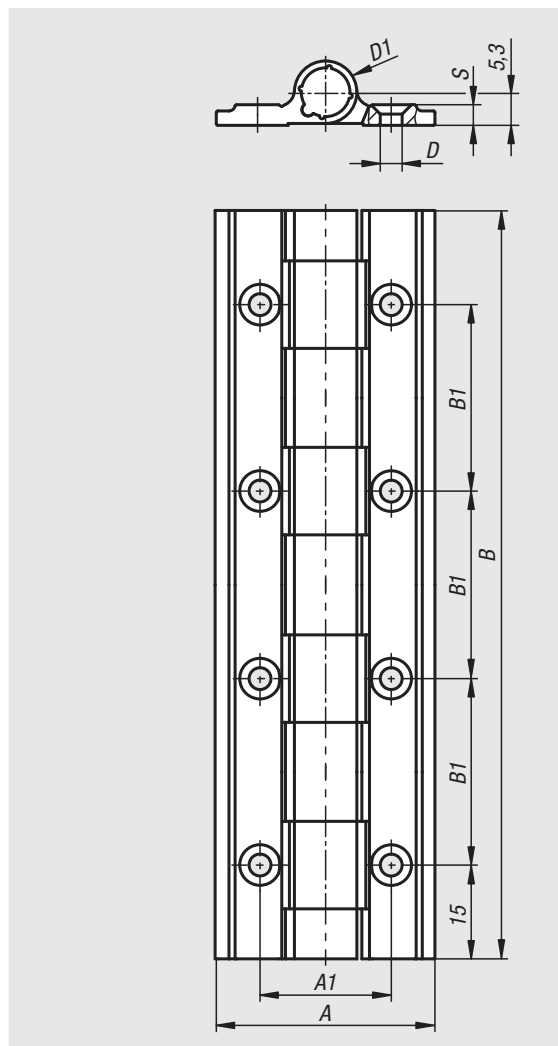
Spring torque opening:

M(0°): 0.92 Nm / M(90°): 0.7 Nm / M(180°): 0.44 Nm

Fastened with DIN 7991 countersunk screws.

Temperature range:

From -20°C to +80°C



Hinges with opening spring

Order No.	Version 1	Main colour	A	A1	B	B1	D	D1	S
27907-02-3512001	spring open	black	35	21	120	30	3,5	10	3,3
27907-02-351200	spring open	colourless	35	21	120	30	3,5	10	3,3

20000 21000 22000 23000 24000 26000 27000 28000 29000 31000 32000 33000