

Spring hinges

aluminium profile, 0.7 Nm, long version



Material:

Aluminium 6060 T5.
Cover plug PA 6.6.

Version:

Black anodised.
Colourless anodised.

Sample order:

nln 27907-01-359001

Note:

These hinges have stainless steel tension springs which enables doors and hatches to open or close automatically.
Opening angle 270°.

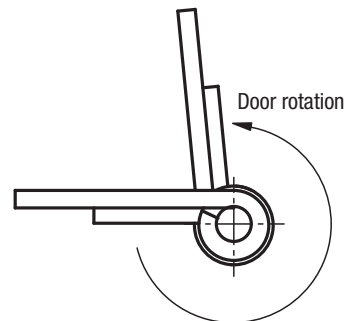
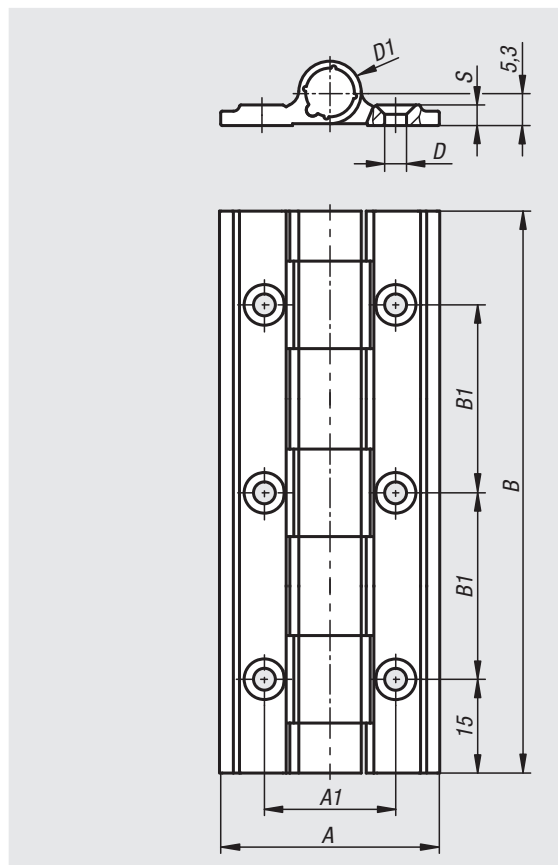
Spring torque opening:

M(0°): 0.7 Nm / M(90°): 0.5 Nm / M(180°): 0.3 Nm

Fastened with DIN 7991 countersunk screws.

Temperature range:

From -20°C to +80°C



Hinges with opening spring

Order No.	Version 1	Main colour	A	A1	B	B1	D	D1	S
27907-01-35900	spring open	colourless	35	21	90	30	3,5	10	3,3
27907-01-359001	spring open	black	35	21	90	30	3,5	10	3,3