

# Spring hinges

aluminium profile tension spring hinges, 0.35 Nm



**Material:**

Aluminium 6060 T5.  
End caps PA 6.6.  
Washers POM.

**Version:**

Black anodised.  
Colourless anodised.

**Sample order:**

nIm 27906-556701

**Note:**

The hinges are equipped with an integrated steel tension spring. This allows automatic opening and closing of doors and hatches. Opening angle 180°.

Opening spring torque:

M(0°) : 0.35 Nm / M(90°) : 0.24 Nm / M(180°) : 0.12 Nm

Closing spring torque:

M(0°) : 0.12 Nm / M(90°) : 0.24 Nm / M(180°) : 0.35 Nm

These hinges are designed for more than 30,000 switching cycles.

Fastening with socket head screws as described in DIN 912/ DIN EN ISO 4762.

The loading values given for the hinges are non-binding reference values, which do not consider safety factors and exclude any liability. The values given are for information purposes only and do not constitute a legally binding assurance of properties.

These load values were determined under laboratory conditions. Each user must determine individually whether the hinge is suitable for the respective application.

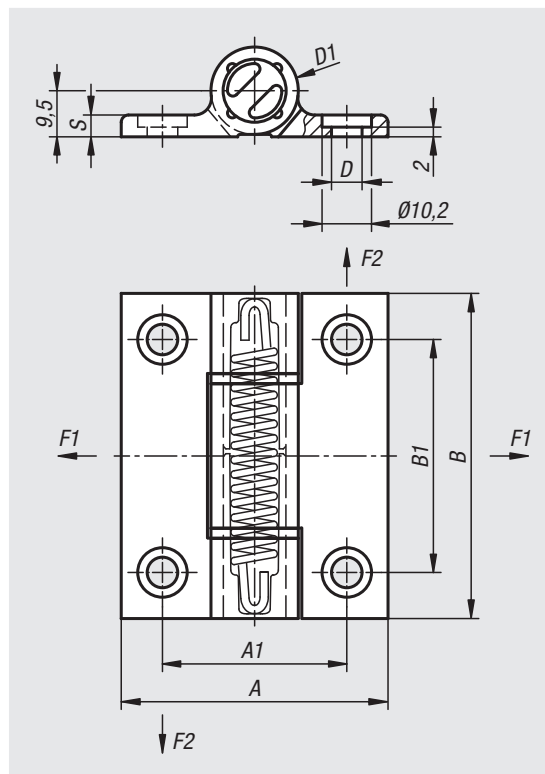
Wide differences in the materials on which the hinges are installed, the type of mounting, weather conditions and wear, can influence the determined values.

**Temperature range:**

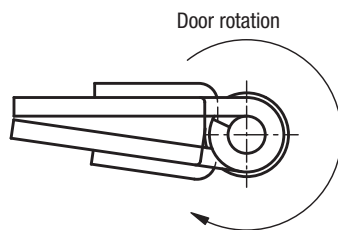
From -20°C to +80°C

**Accessories:**

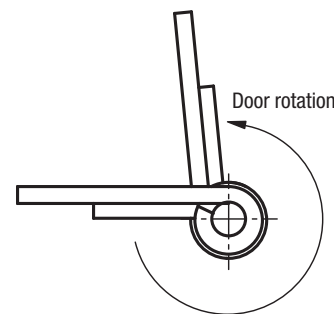
Socket head screws with hexagon socket DIN 912/EN ISO 4762.



Hinges with closing spring



Hinges with opening spring



Order No.	Version 1	Main colour	Surface finish body	A	A1	B	B1	D	D1	S	F1 max. kN	F2 max. kN
27906-556701	spring open	black	anodized	55	38	67	48	6,3	18	4,5	2,65	2,25
27906-55670	spring open	colourless	anodized	55	38	67	48	6,3	18	4,5	2,65	2,25
27906-556711	spring closed	black	anodized	55	38	67	48	6,3	18	4,5	2,65	2,25
27906-55671	spring closed	colourless	anodized	55	38	67	48	6,3	18	4,5	2,65	2,25

20000  
21000  
22000  
23000  
24000  
26000  
27000  
28000  
29000  
31000  
32000  
33000