

Spring hinges

aluminium profile, 0.50 Nm



Material:
Aluminium 6060 T5.
End caps PA 6.6.
Washers POM.

Version:
Black anodised.
Colourless anodised.

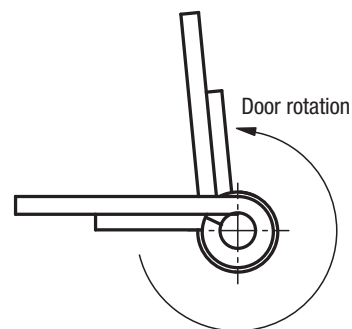
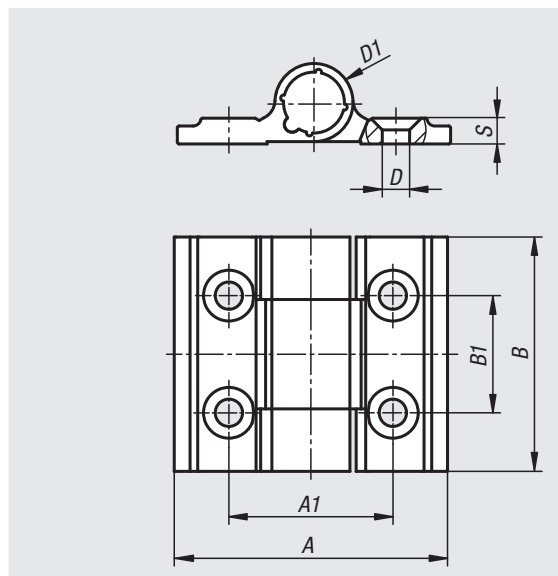
Sample order:
nlm 27906-01-35600

Note:
These hinges have stainless steel tension springs which enables doors and hatches to open or close automatically.
Opening angle 270°.

Spring torque opening:
M(0°): 0.48 Nm / M(90°): 0.3 Nm / M(180°): 0.16 Nm

Fastened with DIN 7991 countersunk screws.

Temperature range:
From -20°C to +80°C



Hinges with opening spring

Order No.	Version 1	Main colour	A	A1	B	B1	D	D1	S
27906-01-354001	spring open	black	35	21	60	30	3,5	10	3,3
27906-01-35400	spring open	colourless	35	21	60	30	3,5	10	3,3