

Spring hinges

aluminium profile tension spring hinges, 0.20 Nm



Material:
Aluminium 6060 T5.
Cover plug PA 6.6.

Version:
Black anodised.
Colourless anodised.

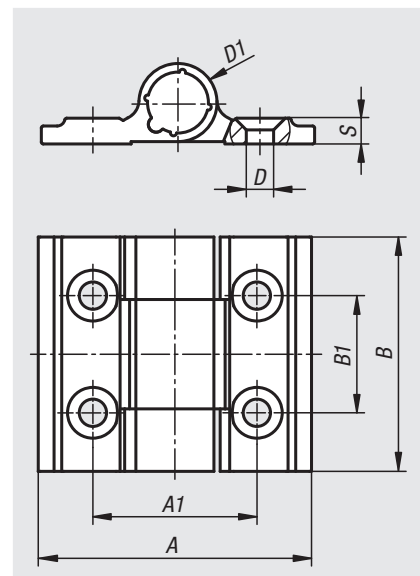
Sample order:
nlm 27905-353001

Note:
These hinges have stainless steel tension springs which enables doors and hatches to open or close automatically. Opening angle 270°.

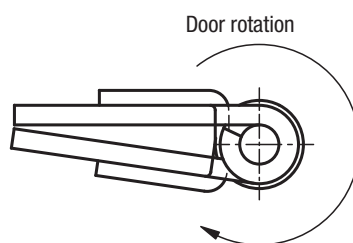
Spring torque opening:
M(0°): 0.23 Nm / M(90°): 0.15 Nm / M(180°): 0.08 Nm
Spring torque closing:
M(0°): 0.08 Nm / M(90°): 0.15 Nm / M(180°): 0.23 Nm

Fastened with DIN 7991 countersunk screws.

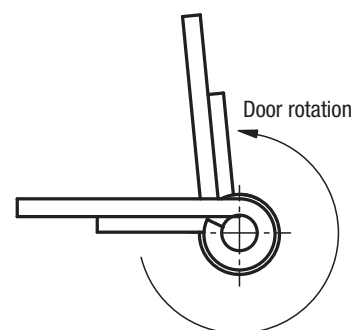
Temperature range:
From -20°C to +80°C



Hinges with closing spring



Hinges with opening spring



Order No.	Version 1	Main colour	A	A1	B	B1	D	D1	S
27905-353001	spring open	black	35	21	30	15	3,5	10	3,3
27905-35300	spring open	colourless	35	21	30	15	3,5	10	3,5
27905-353011	spring closed	black	35	21	30	15	3,5	10	3,3
27905-35301	spring closed	colourless	35	21	30	15	3,5	10	3,5