

# Spring hinges

steel or stainless steel, 240 mm



**Material:**

Steel or 1.4301 stainless steel.  
Tension spring stainless steel.

**Version:**

Steel bright or electro zinc-plated.  
Stainless steel bright.

**Sample order:**

nIm 27904-4024000

**Note:**

Butt type hinges.  
Opening angle 270°.

**Spring torque opening:**

M(0°): 2.55 Nm / M(90°): 1.68 Nm / M(180°): 0.84 Nm

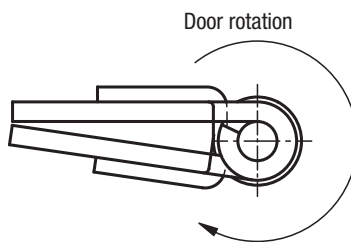
**Spring torque closing:**

M(0°): 0.84 Nm / M(90°): 1.68 Nm / M(180°): 2.55 Nm

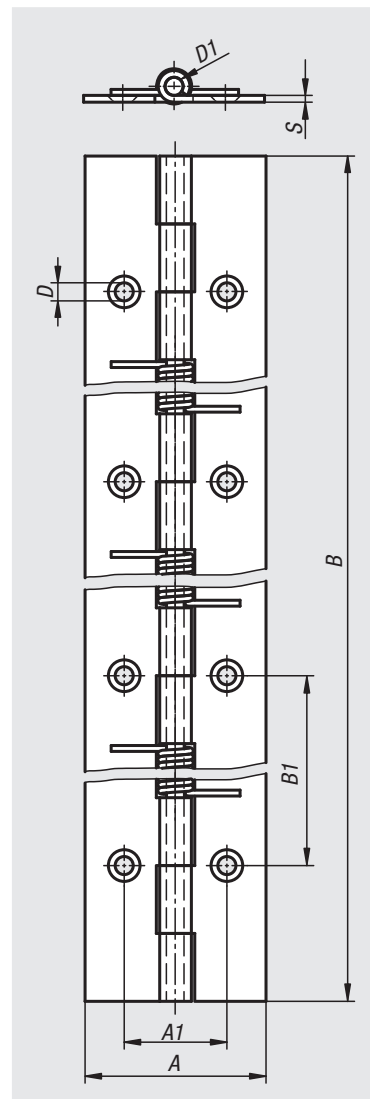
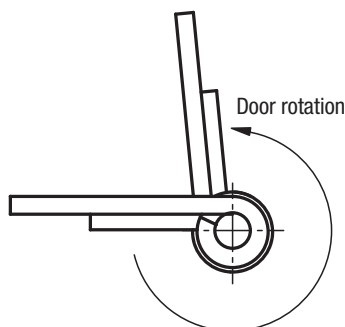
Form A: without holes

Form B: with holes

Hinges with closing spring



Hinges with opening spring



Order No.	Form	Version 1	Main material	Finish	A	A1	B	B1	D	D1	S
27904-4024000	A	spring open	steel	bright	40	-	240	-	-	4	1,5
27904-4024001	B	spring open	steel	galvanised	40	22,7	240	60	4	4	1,5
27904-14024000	A	spring open	stainless steel	bright	40	-	240	-	-	4	1,5
27904-14024001	B	spring open	stainless steel	bright	40	22,7	240	60	4	4	1,5
27904-4024010	A	spring closed	steel	bright	40	-	240	-	-	4	1,5
27904-4024011	B	spring closed	steel	galvanised	40	22,7	240	60	4	4	1,5
27904-14024010	A	spring closed	stainless steel	bright	40	-	240	-	-	4	1,5
27904-14024011	B	spring closed	stainless steel	bright	40	22,7	240	60	4	4	1,5

20000 21000 22000 23000 24000 26000 27000 28000 29000 31000 32000 33000